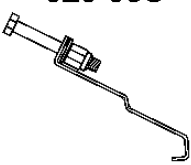
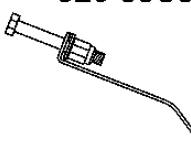
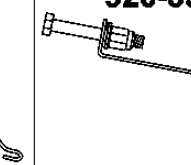
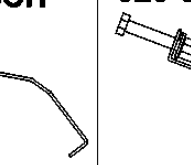
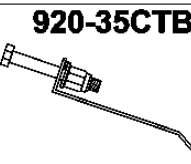
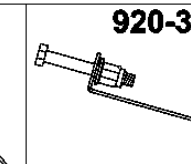
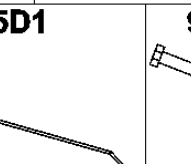
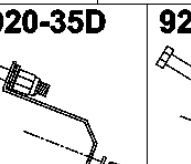
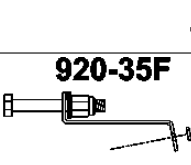
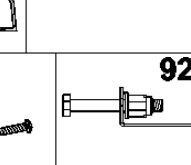
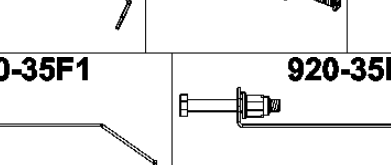
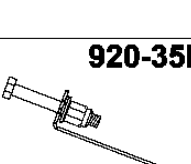
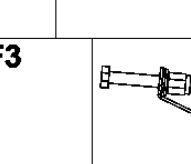
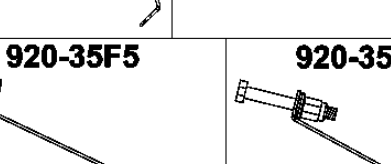

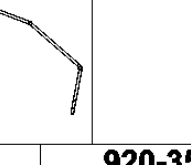
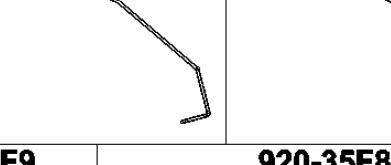
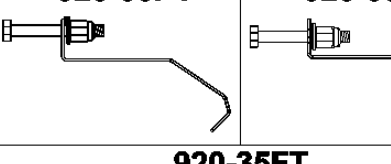
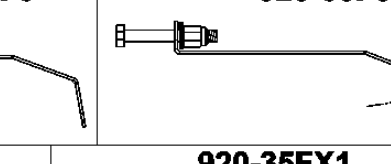
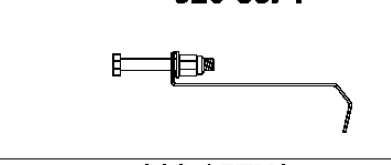
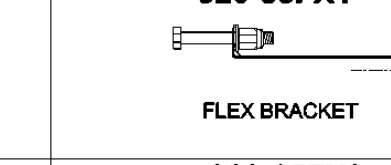
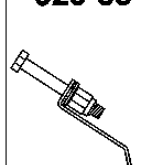
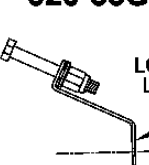
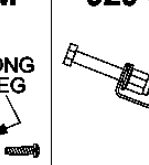

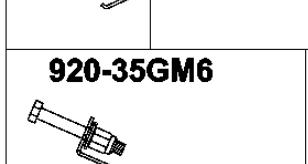
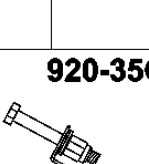
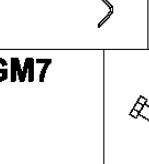

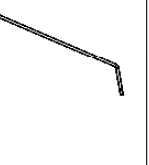

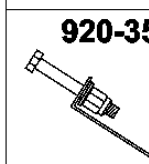
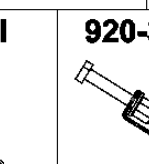
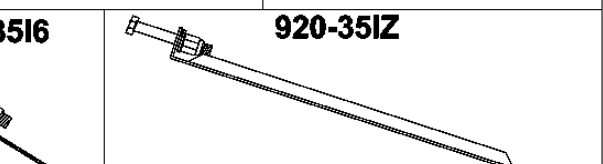

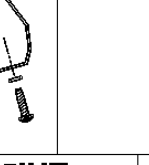
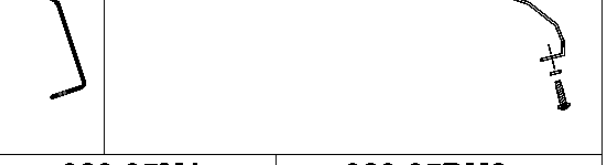


# HOOK MOUNTS

<b>920-35C</b> 	<b>920-35C5</b> 	<b>920-35CH</b> 	<b>920-35CVLP</b> 
<b>920-35CTB</b> 	<b>920-35D1</b> 	<b>920-35D</b> 	<b>920-35EX</b> 
<b>920-35F</b> 	<b>920-35F1</b> 	<b>920-35F2</b> 	
<b>920-35F3</b> 	<b>920-35F5</b> 	<b>920-35F6</b> 	
<b>920-35F4</b> 	<b>920-35F9</b> 	<b>920-35F8</b>  3x	
<b>920-35FT</b> 		<b>920-35FX1</b>  3x FLEX BRACKET	
<b>920-35FX2</b>  3x FLEX BRACKET		<b>920-35FX3</b>  3x FLEX BRACKET	

3/15/17

THE HOOK MOUNTS ARE OPTIONAL. THEY ARE NOT INCLUDED WITH EACH LIGHTBAR. THEY MUST BE ORDERED SEPARATELY.

<b>920-35</b> 	<b>920-35GM</b>  LONG LEG	<b>920-35GM2</b> 	<b>920-35GM5</b> 
<b>920-35GM6</b> 		<b>920-35GM7</b> 	<b>920-35GM8</b> 
<b>920-35I</b> 	<b>920-35I6</b> 	<b>920-35IZ</b> 	
<b>920-35INT</b> 	<b>920-35M1</b> 	<b>920-35RM2</b> 	
<b>920-35RM3</b> 	<b>920-35RM5</b> 	<b>920-35-S105</b>  OFFSET LEG	

## Hook Mount Applications

<u>Make</u>	<u>Model</u>	<u>Style</u>	<u>Req. YEAR</u>	<u>Thru YEAR</u>	<u>Roof Width</u>	<u>Model #</u>
<b>CHEVROLET</b>	Avalanche	Wrap-around Doors	2002	2013	51"	920-35-S105
<b>CHEVROLET</b>	C/K Pickup 1500	Wrap-around Doors	1999	2010	52"	920-35-S105
<b>CHEVROLET</b>	C/K Pickup 2500, 3500	Wrap-around Doors	2001	2010	52"	920-35-S105
<b>CHEVROLET</b>	Caprice	Standard Roof	2011	2017	51.0"	920-35GM7
<b>CHEVROLET</b>	Colorado	Wrap-around Doors	2004	2012	45"	920-35GM6
<b>CHEVROLET</b>	Impala	Wrap-around Doors	2006	2013	46.5"	920-35I6
<b>CHEVROLET</b>	Silverado/Sierra	Wrap-around Doors	2001	2013	52"	920-35-S105
<b>CHEVROLET</b>	Suburban	Wrap-around Doors	2007	2014	52"	920-35GM5
<b>CHEVROLET</b>	Suburban	Wrap-around Doors	2015	2017	56"	920-35GM8
<b>CHEVROLET</b>	Tahoe	Wrap-around Doors	2007	2014	55"	920-35GM5
<b>CHEVROLET</b>	Tahoe	Wrap-around Doors	2015	2017	55"	920-35GM8
<b>CHEVROLET</b>	Trailblazer	Wrap-around Doors	2007	2009	51"	920-35-S105
<b>CHRYSLER</b>	PT Cruiser	Wrap-around Doors	2001	2005	44"	920-35GM
<b>DODGE</b>	Avenger	Wrap-around Doors	2008	2014		920-35D
<b>DODGE</b>	Charger	Wrap-around Doors	2005	2007	51"	920-35M1
<b>DODGE</b>	Charger	Wrap-around Doors	2008	2017	51"	920-35CH
<b>DODGE</b>	Dakota (Reg,Ext,Crew)	Wrap-around Doors	1997	2011	48"	920-35GM
<b>DODGE</b>	Dakota	Wrap-around Doors	2006	2011	48"	920-35F
<b>DODGE</b>	Dart	Wrap-around Doors	2013	2013		920-35D
<b>DODGE</b>	Durango	Wrap-around Doors	2004	2017	48"	920-35-S105
<b>DODGE</b>	Ram pickup (Crew)	Wrap-around Doors	2003	2007	48"	920-35RM5
<b>DODGE</b>	Ram pickup (Reg)	Wrap-around Doors	2002	2007	48"	920-35RM2
<b>DODGE</b>	Ram pickup (1500, 2500, 3500)	Wrap-around Doors	2008	2017	57.5"	920-35RM3

You can substitute our new FLEX brackets as follows:

920-35FX1: 920-35, 920-35CVLP, 920-35D, 920-35F, 920-35F9, 920-35GM, 920-35GM5, 920-35M1, 920-35RM2, 920-35RM5, 920-35S105

920-35FX2: 920-35CH, 920-35CTB, 920-35GM6, 920-35GM7, 920-35GM8, 920-35I6, 920-35RM3

920-35FX3: 920-35F2, 920-35F3, 920-35F5, 920-35F6

## Hook Mount Applications (cont'd)

<u>Make</u>	<u>Model</u>	<u>Style</u>	<u>Req. YEAR</u>	<u>Thru YEAR</u>	<u>Roof Width</u>	<u>Model #</u>
<b>FORD</b>	Crown Victoria	Wrap-around Doors	1992	2011	46"	920-35CVLP
<b>FORD</b>	E-450	Wrap-around Doors	2003	2009	60.5"	920-35F6
<b>FORD</b>	E-Series (Van)	Standard Roof	1987	2007	66"	920-35
<b>FORD</b>	Edge	Wrap-around Doors	2011	2013		920-35F3
<b>FORD</b>	Escape	Wrap-around Doors	2010	2017		920-35F3
<b>FORD</b>	Expedition	Wrap-around Doors	2003	2017	52"	920-35FT
<b>FORD</b>	Explorer	Wrap-around Doors	2000	2007	49"	920-35D
<b>FORD</b>	Explorer/Interceptor (bar <52")	Wrap-around Doors	2008	2017	54"	920-35F3
<b>FORD</b>	Explorer/Interceptor (bar =52"+)	Wrap-around Doors	2010	2017	54"	920-35F5
<b>FORD</b>	F-150	Wrap-around Doors	2007	2017	57"	920-35F1
<b>FORD</b>	F-250/350/450/550 (<58" bars)	Wrap-around Doors	2007	2017	58.5"	920-35F2
<b>FORD</b>	F-250/350/450 (58" bars)	Wrap-around Doors	2003	2017	58.5"	920-35F9
<b>FORD</b>	LTD-Crown Vic		1992	2011	46"	920-35CVLP
<b>FORD</b>	Taurus/Interceptor	Wrap-around Doors	2010	2017	48.5"	920-35F3
<b>GMC</b>	Canyon	Wrap-around Doors	2007	2011	45"	920-35GM6
<b>GMC</b>	Envoy	Wrap-around Doors	2002	2005	48"	920-35CTB
<b>GMC</b>	Trucks		1995	2000		920-35-S105
<b>ISUZU</b>	Delivery Truck Chassis		2000	2004		920-35IZ
<b>JEEP</b>	Jeep Cherokee	Standard Roof	1990	2001	51.5"-53.5"	920-35
<b>JEEP</b>	Jeep Grand Cherokee	Wrap-around Doors	1999	2004	48"	920-35GM
<b>JEEP</b>	Jeep Liberty	Wrap-around Doors	2002	2004	46"	920-35GM
<b>TOYOTA</b>	Heliux		2010	2017		920-35F
<b>TOYOTA</b>	Tacoma		2010	2017		920-35F
<b>TOYOTA</b>	Tundra		2004	2013		920-35F