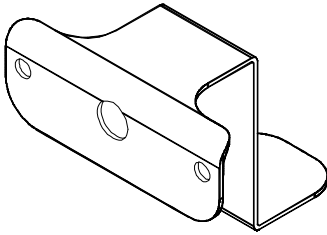
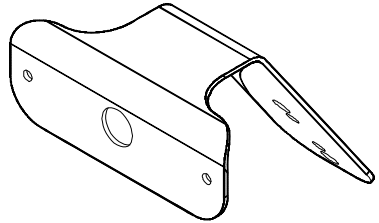


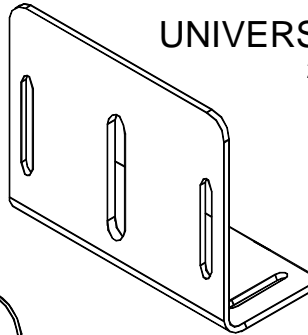
Installation Instructions  
for  
**DLX3 Mounting Brackets**



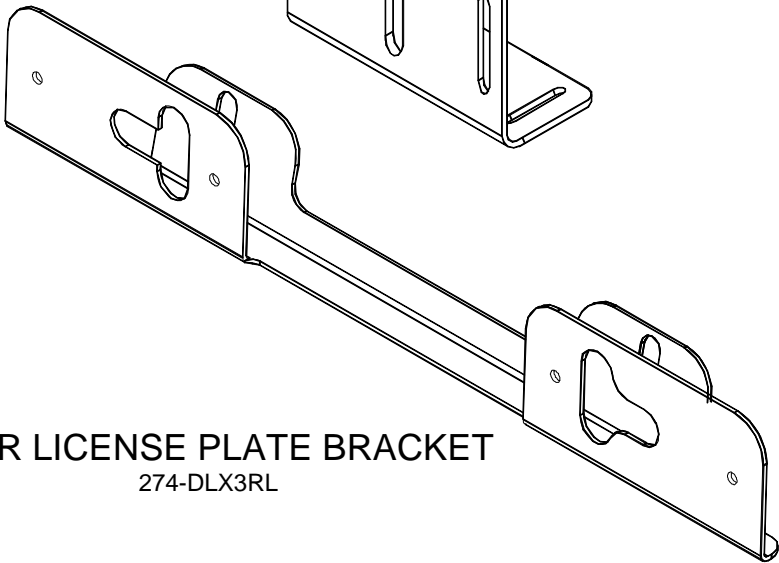
**DECK BRACKET**  
274-DLX3D



**TRUNK BRACKET**  
274-DLX3T



**UNIVERSAL L-BRACKET**  
274-DLX3U



**REAR LICENSE PLATE BRACKET**  
274-DLX3RL



**Star Headlight & Lantern Co., Inc.**

455 Rochester Street  
Avon, NY 14414

[www.star1889.com](http://www.star1889.com)

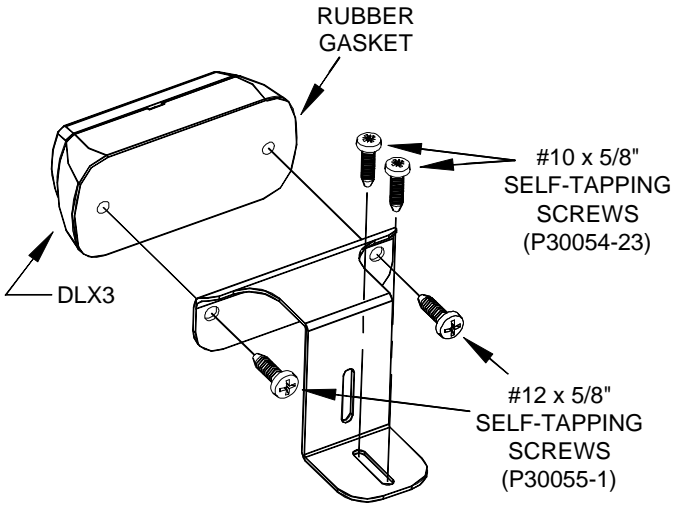


Phone: 585-226-9500  
Fax: 888-478-2797

[www.star1889.com](http://www.star1889.com)

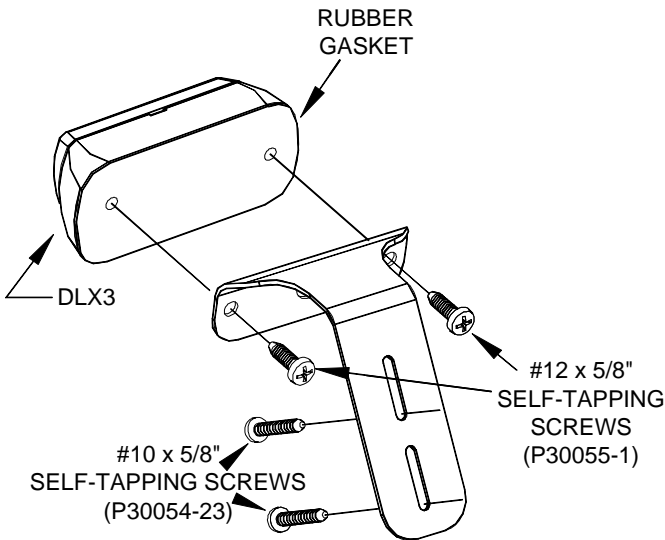


# 274-DLX3D

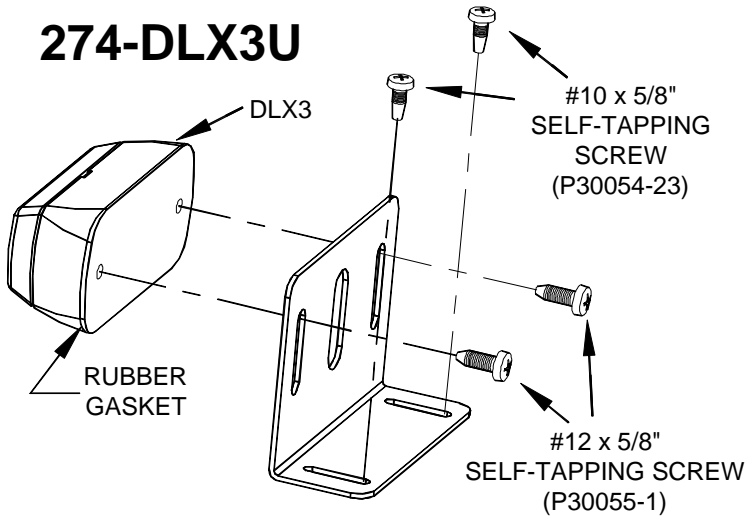


Mount the DLX3 on the bracket as shown in the appropriate diagram. Removal of the outer lens is not necessary. Mount the DLX3 using the two #12 x 5/8" screws through the back of the mounting bracket as shown. Then use the two #10 x 5/8" screws to mount the bracket to the mounting surface. **CAUTION!!! Do not overtighten the screws!!!**

# 274-DLX3T



## 274-DLX3U



Mount the DLX3 on the bracket as shown above. Removal of the outer lens is not necessary. Mount the DLX3 using the two #12 x  $\frac{5}{8}$ " screws through the back of the mounting bracket as shown above. Then use the two #10 x  $\frac{5}{8}$ " screws to mount the bracket to the mounting surface.

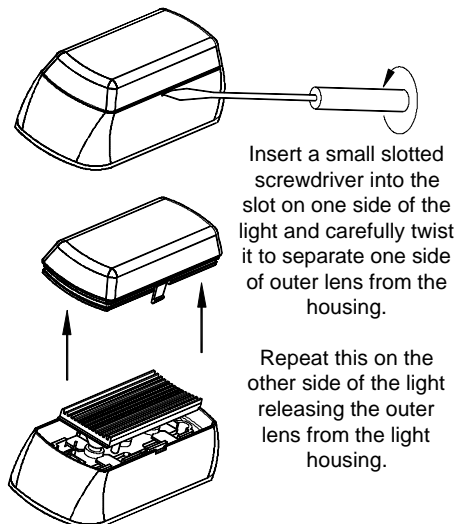
**CAUTION!!! Do not overtighten the screws!!!**

## 274-DLX3RL

1. Mount the 274-DLX3RL bracket to your vehicle using the lower two license plate screw holes. Slide the bracket behind the license plate, between it and the vehicle. Use the two  $\frac{1}{4}$ -20 x  $\frac{1}{2}$ " screws provided.

2. Carefully remove the outer lens on your light by inserting a slotted screwdriver into one of the slots on the side between the housing and the lens. Carefully twist the screwdriver until the lens separates from the housing.

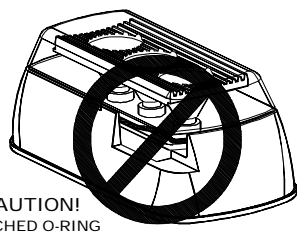
3. Repeat step 1 with the slot on the opposite side of the lens to completely free the lens from the housing. Please note that there may be silicone lubrication on the O-Ring. Take care not to smear the lubricant onto the lens or housing. **DO NOT** wipe the lubricant off, as it will be necessary to ensure proper reassembly.



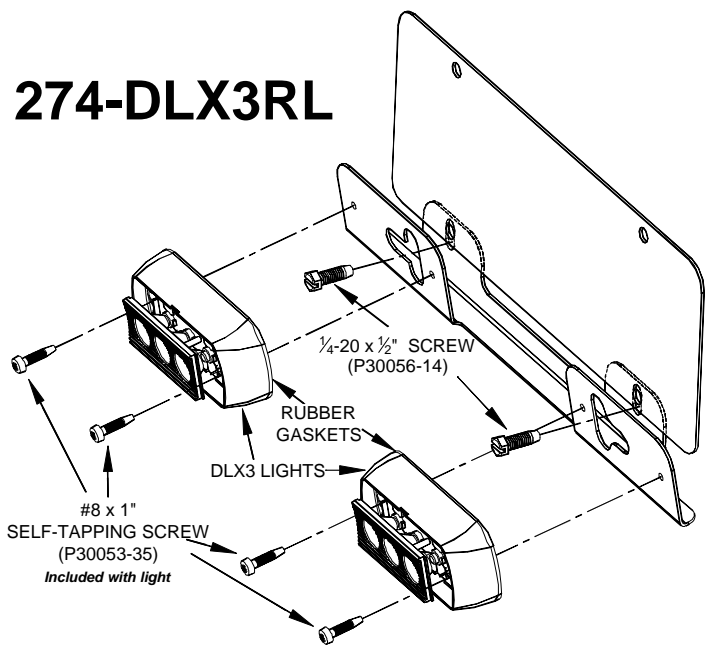
**CAUTION:** Take care not to damage the lens, housing, or the O-Ring around the lens.

- Place the gasket over the holes in your mounting bracket and then place the light on top. Insert the appropriate screws through the front of the light as pictured below and carefully tighten the screws down. While tightening the screws down, check the gasket to ensure it is resting flat and that there are no gaps between the light and the mounting surface. **CAUTION:** *Take extreme caution not to over tighten the screws!!! Over tightening of the screws can strip the holes and result in a faulty mount.*

- Before replacing the front lens, check the O-Ring to be sure there is lubricant on it to aid in reassembly.** Unlubricated O-Rings are likely to become pinched, bunched, or stretched during installation of the front lens and may result in a leaky seal. If the lubricant has dried up or has been wiped off, you may use a small amount of liquid soap around the O-Ring. If you must lubricate the O-Ring, use your lubricant sparingly so as not to get any on the lens, housing, or circuit. Replace the clear outer lens on the light. **TAKE EXTREME CAUTION that you do not damage the O-Ring around the lens. Ensure that the O-Ring sets firmly in the groove around the lens so that it doesn't get pinched, stretched, or gouged.**



## 274-DLX3RL



Mount the 274-DLX3RL bracket to the lower two lower license plate screw holes, between the plate and the vehicle as shown above. Then mount the DLX3 lights onto the bracket. Removal of the outer lens *is necessary* (see page 2). Install the two #8 x 1" screws through the front of the light and into the 274-DLX3RL. **CAUTION!!! Do not overtighten the screws!!!**