



WARNING: ALWAYS WEAR HEARING PROTECTION PER OSHA 1910.95

ONE YEAR LIMITED WARRANTY

The manufacturer warrants each new product, under normal use, against factory defects in material and workmanship for one year after the date of purchase. The owner will be responsible for returning to the Service Center any defective item(s) with the transportation costs prepaid. The manufacturer will, without charge, **repair or replace at its option**, products, or part(s), which its inspection determines to be defective. Repaired or replacement item(s) will be returned to the purchaser with transportation costs prepaid from the service point. A copy of the purchaser's receipt must be returned with the defective item(s) in order to qualify for the warranty coverage.

Exclusions from this warranty include, but are not limited to, bulbs, strobe tubes, domes, and/or the finish. This warranty shall not apply to any light, which has been altered, such that in the manufacturer's judgment, the performance or reliability has been affected, or if any damage has resulted from abnormal use or service. This warranty does not apply to defect or damage occurring as a result of disaster, accident, abuse, misuse, lightning, power surges, or failure to follow instructions in any enclosed manuals. Any damage or defects occurring as a result of any unauthorized service or repairs by unauthorized persons shall be excluded from this warranty.

There are no warranties expressed or implied (including any warranty of merchantability or fitness), which extend this warranty period. **The loss of use of the product, loss of time, inconvenience, commercial loss, or consequential damages, including costs of any labor, are not covered.** The manufacturer reserves the right to change the design of the product without assuming any obligation to modify any product previously manufactured.

This warranty gives you specific legal rights. You might also have additional rights which may vary from state to state. Some states do not allow limitations on how long an implied warranty lasts. Some states do not allow the exclusion or limitation of incidental or consequential damages. Therefore, the above limitation(s) or exclusion(s) may not apply to you.

If you have any questions concerning this or any other product, please contact our **Customer Service Department** at (585) 226-9025.

If a product must be returned for any reason, please contact our Customer Service Department to obtain a Returned Goods Authorization Number (RGA #) before you ship the product back. Please write the RGA # clearly on the package near the mailing label.

Star Headlight & Lantern Co., Inc.

455 Rochester Street Avon, NY 14414

Phone: 585-226-9787 FAX: 888-478-2797



www.starheadlight.com

SPEAKERS USING THE SA-1505 DRIVER

Speaker Model

Bell Housing Part

D-60 OR D-60CV



D-60-2

D-2000



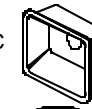
D2000-2

D-30



D-30-2

D-60C



D-60C-2

D-60-RBB



SA-975

D-60-RBS



SA-976

D-60LP

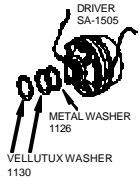
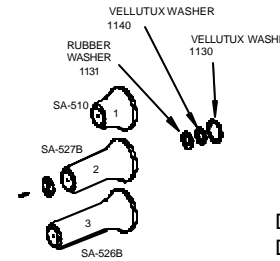


D-60-2LP

D-10



SA-626



| SPEAKER MODEL | BELL HOUSING | CONE | BRACKET INCLUDED |
|---------------|--------------|---------|------------------|
| D-60 | D-60-2 | SA-510 | SPBRK-12 |
| D-60CV | D-60-2 | SA-510 | SPBRK-3 |
| D-2000 | D-2000-2 | SA-526B | SPBRK-10 |
| D-30 | D-30-2 | SA-527B | SPBRK-8 |
| D-60C | D-60C-2 | SA-510 | SPBRK-8 |
| D-60-RBB | SA-975 | SA-510 | SPBRK-12 |
| D-60-RBS | SA-976 | SA-510 | SPBRK-12 |
| D-60LP | D-60-2LP | SA-510 | SPBRK-11 |
| D-10 | SA-626 | SA-526B | SPBRK-8 |



WARNING: ALWAYS WEAR HEARING PROTECTION PER OSHA 1910.95

Star Headlight & Lantern Co., Inc.

455 Rochester Street Avon, NY 14414

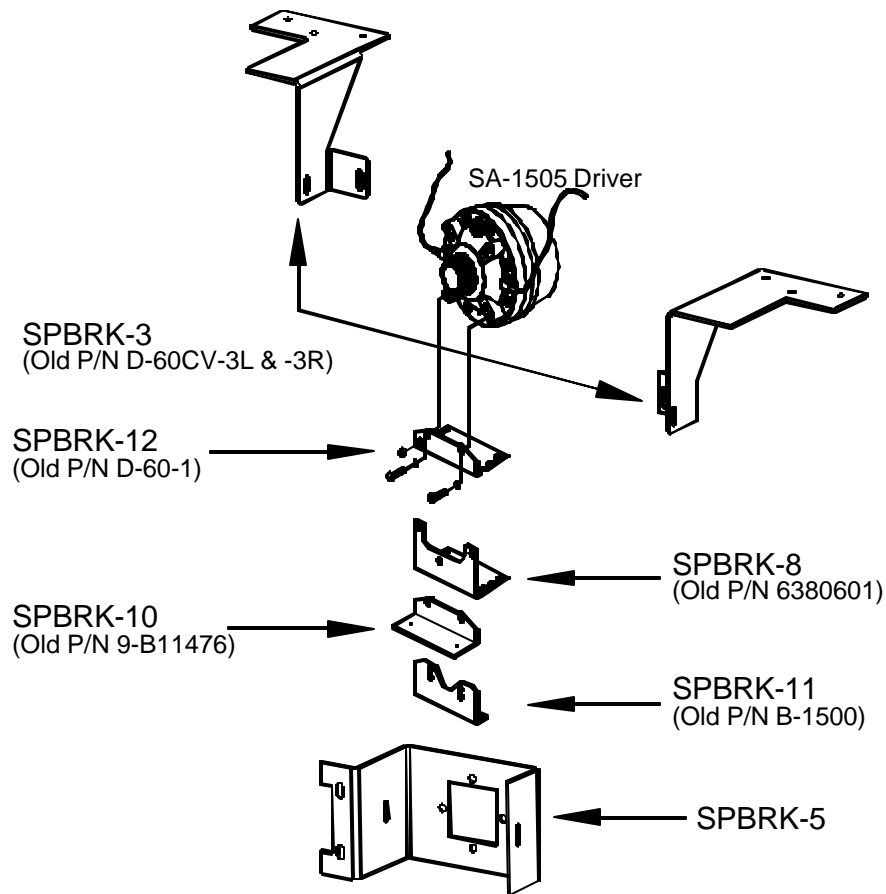
Phone: 585-226-9787 FAX: 888-478-2797



www.starheadlight.com

PLISTR222 REV. M 3/23/09

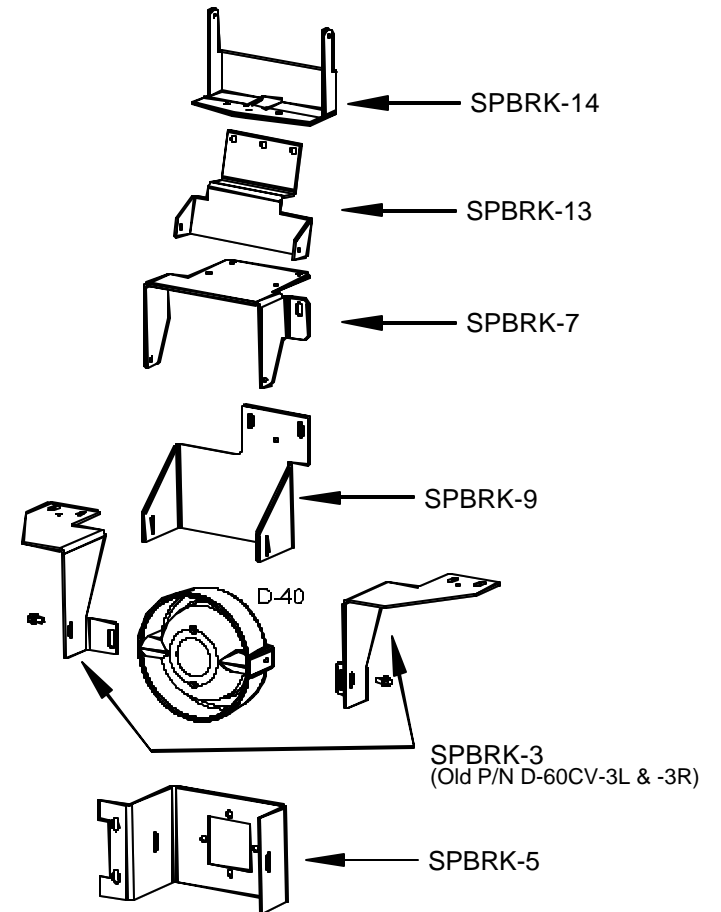
SA-1505 SPEAKER BRACKETS



SA-1505 Driver Bracket Applications

| Year | Model Number |
|-----------------------|--------------|
| Crown Victoria | |
| 2003 -2008 | SPBRK-3 |
| Impala | |
| 2003 -2005 | SPBRK-5 |

D-40 SPEAKER BRACKETS



D-40 Speaker Bracket Applications

| | |
|------------------------------|------------------------|
| Ford Crown Victoria | |
| 1998 - 2002 | SPBRK-7 |
| 2003 -2008 | SPBRK-3 |
| Chevrolet Impala | |
| 2001 - 2002 | SPBRK-9 |
| 2003 -2005 (recommended) | SPBRK-5 |
| 2004 -2005 (for grill mount) | SPBRK-13 |
| 2006-2008 (for grill mount) | Use Supplied U-Bracket |
| Dodge Charger | |
| 2006 | SPBRK-14 |