

---

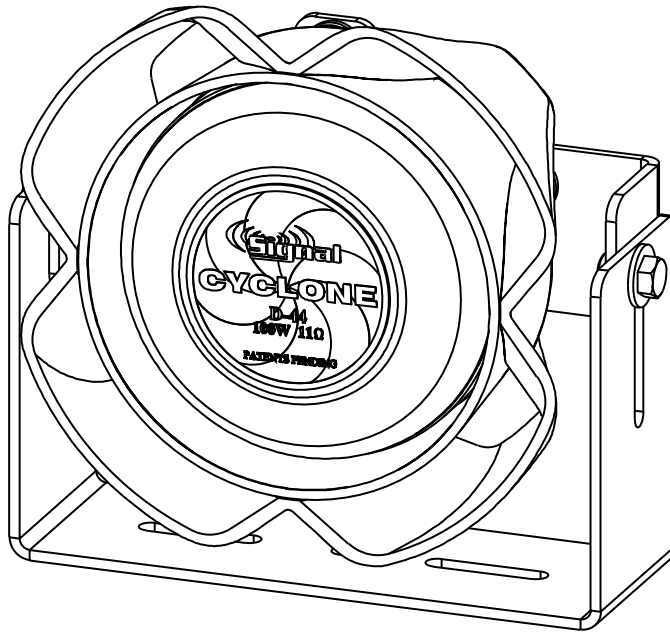
## INSTALLATION AND INSTRUCTION MANUAL

---

# SPBRK-21

## CYCLONE

### UNIVERSAL ADJUSTABLE SPEAKER MOUNTING KIT



**Please Note:** These instructions are provided as a general guideline only. Specific mounting, wiring, and/or weather-sealing may be necessary and are the sole responsibility of the installer. The manufacturer assumes no responsibility for the integrity of the installation for this or any of its products.



**WARNING: ALWAYS WEAR HEARING PROTECTION PER OSHA 1910.95**



**Star Headlight & Lantern Co., Inc.**

455 Rochester Street

Avon, NY 14414

Phone: 585-226-9787

FAX: 888-478-2797

**STAR**  
WARNING  
SYSTEMS

**STAR SIGNAL**  
VEHICLE PRODUCTS

**BRADFORD**  
Vehicle Solutions

[www.starheadlight.com](http://www.starheadlight.com)

PLIT427-21 REV. B 4/16/14

## **SPBRK-21 Parts List**

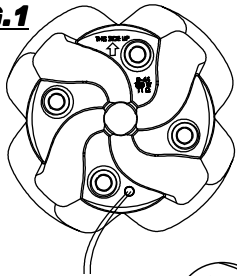
<b>PART NUMBER</b>	<b>DESCRIPTION</b>	<b>QTY.</b>
S30150-218	UNIVERSAL BRACKET	1
P30150-218AP	UNIVERSAL BRACKET	1
P30076-7	1/4" EXTERNAL TOOTH WASHER	2
P30076-8	1/4" FLAT BLACK WASHER	2
P30069-59	1/4-14 X 3/4 SELF DRILLING SCREW	3
P30056-22	1/4-20 X 1 HEX MACHINE BOLT S/S	3
P30096-4	1/4-20 HEX NUT S/S	3
P30076-2	1/4 LOCK WASHER S/S	3
P30076-1	1/4 FLAT WASHER S/S	3
P30056-21	1/4-20 X 1/2" BLACK SERRATED BOLT	2
P30069-64	THREAD LOCKING COMPOUND	1

## **Installation**

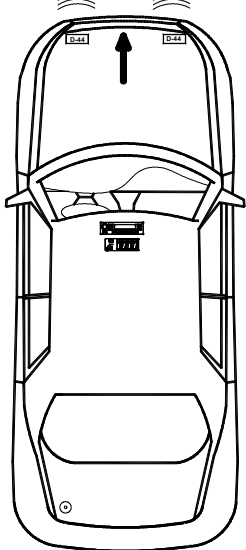
- 1. Locate suitable mounting surface on vehicle:**
  - Choose a surface such as the frame or cross member of the vehicle.
  - Do not mount to weak plastic body components.
  - Do not mount near or over air bag sensor!
  - Ideally the speaker should be located behind the front grill, vent opening and facing forward. (SEE FIG.3)
- 2. Choose orientation of speaker:**
  - Speaker bracket can be mounted in many orientations.
  - Speaker wires must exit bottom of speaker! (SEE FIG.1)
- 3. Mark mounting holes:**
  - Use mounting bracket to mark holes on mounting surface.
- 4. Mount speaker to bracket:**
  - Remove three (3) bolts from back of D-44 speaker. (SEE FIG.2)
  - Apply thread locker to threads.
  - Align holes in bracket to speaker and re-install bolts.
  - Torque bolts to 30 in-lbs.
  - Speaker wires must exit bottom of speaker (SEE FIG.1)
- 5. Drill mounting holes:**
  - Drill 7/32 pilot holes in previously marked positions.
  - If using self drilling screws, install at this time.
  - Drill holes to 9/32" if using 1/4-20 x 1" bolts.
  - Use flat and lock washers provided for a secure installation.
- 6. Route wires:**
  - Route wires so they are not in contact with any sharp or abrasive surface.
  - Fasten securely to nearby features.
  - Refer to siren installation manual for wiring connections.

**IMPORTANT!**  
 Speaker must be mounted with  
 drain hole/wiring exit facing down.  
 Failure to do so will void warranty!

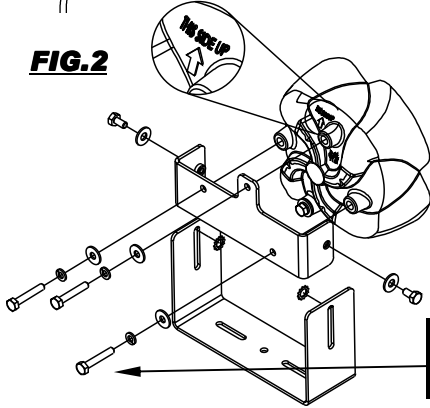
**FIG.1**



**FIG.3**



**FIG.2**



**!** Apply the enclosed  
 thread-locking compound  
 to all bolts!!

**Optional Cyclone Speaker Brackets and Applications**

MODEL #	DESCRIPTION/APPLICATION	BRACKET PART #
D-44	SPEAKER ONLY	NO BRACKET
SPBRK-16	UNIVERSAL "L" BRACKET 2004-2005 DODGE DURANGO 2001 FORD TAURUS 2002-2009 FORD EXPLORER 2004-2009 GMC ENVOY 2002-2009 CHEVROLET AVALANCHE 2004-2006 CHEVROLET SUBURBAN / TAHOE	P30150-237P
SPBRK-17	2003-2009 FORD CROWN VICTORIA (CENTER MOUNT)	P30150-238P
SPBRK-18	2007-2009 CHEVROLET SUBURBAN / TAHOE	P30150-239P
SPBRK-19	2006-2009 CHEVROLET IMPALA	P30150-240P
SPBRK-20	2006-2009 DODGE CHARGER 2005-2008 DODGE MAGNUM	P30150-241P
SPBRK-21	TWO PIECE ADJUSTABLE BRACKET	S30150-218, P30150-218AP
SPBRK-22(L/R)	2008-2009 FORD F250 & F350	S30150-260(R/L)
SPBRK-23	2008-2009 FORD F350 & F450	P30150-261P
SPBRK-24	2007-2012 FORD EXPEDITION	P30150-291P
SPBRK-27	2011-2012 DODGE CHARGER	P30150-302P
SPBRK-28	2010-2012 FORD TAURUS	P30150-303P
SPBRK-29	2011-2012 FORD F350	P30150-318P
SPBRK-30	2011-2012 DODGE 4500	P30150-319P
SPBRK-31	2011-2012 CHEVY CAPRICE	P30150-324P



**WARNING: ALWAYS WEAR HEARING PROTECTION PER OSHA 1910.95**

### !!! WARNING !!!

Devices should be mounted only in locations listed in SAE standard J1849.  
Assure clearances before drilling in vehicle.  
Sound levels produced by speakers can cause permanent hearing loss.  
Never operate this unit without adequate hearing protection for you and others in the area.  
(OSHA 1910.95)

## ONE YEAR LIMITED WARRANTY

The manufacturer warrants each new product against factory defects in material and workmanship for one year after the date of purchase. The owner will be responsible for returning to the Service Center any defective item(s) with the transportation costs prepaid. The manufacturer will, without charge, repair or replace *at its option*, products, or part(s), which its inspection determines to be defective. Repaired or replacement item(s) will be returned to the purchaser with transportation costs prepaid from the service point. A copy of the purchaser's receipt must be returned with the defective item(s) in order to qualify for the warranty coverage. Exclusions from this warranty include, but are not limited to, bulbs, strobe tubes, domes, and/or the finish. This warranty shall not apply to any light, which has been altered, such that in the manufacturer's judgment, the performance or reliability has been affected, or if any damage has resulted from abnormal use or service.

There are no warranties expressed or implied (including any warranty of merchantability or fitness), which extend this warranty period. **The loss of use of the product, loss of time, inconvenience, commercial loss or consequential damages, including costs of any labor, are not covered.** The manufacturer reserves the right to change the design of the product without assuming any obligation to modify any product previously manufactured.

This warranty gives you specific legal rights. You might also have additional rights that may vary from state to state. Some states do not allow limitations on how long an implied warranty lasts. Some states do not allow the exclusion or limitation of incidental or consequential damages. Therefore, the above limitation(s) or exclusion(s) may not apply to you.

If you have any questions concerning this or any other product, please contact our **Customer Service Department** at (585) 226-9025.

If a product must be returned for any reason, please contact our Customer Service Department to obtain a Returned Materials Authorization number (RMA #) before you ship the product back. Please write the RMA # clearly on the package near the mailing label.



PROUDLY MADE IN THE USA  
An ISO 9001:2000 Certified Company

### NOTICE

Due to continuous product improvements, we must reserve the right to change any specifications and information, contained in this manual at any time without notice. The manufacturer makes no warranty of any kind with regard to this manual, including, but not limited to, the implied warranties of merchantability and fitness for a particular purpose. The manufacturer shall not be liable for errors contained herein or for incidental or consequential damages in connection with the furnishing, performance, or use of this manual.



**Star Headlight & Lantern Co., Inc.**

455 Rochester Street Avon, NY 14414 Phone: 585-226-9787 FAX: 888-478-2797



[www.starheadlight.com](http://www.starheadlight.com)