

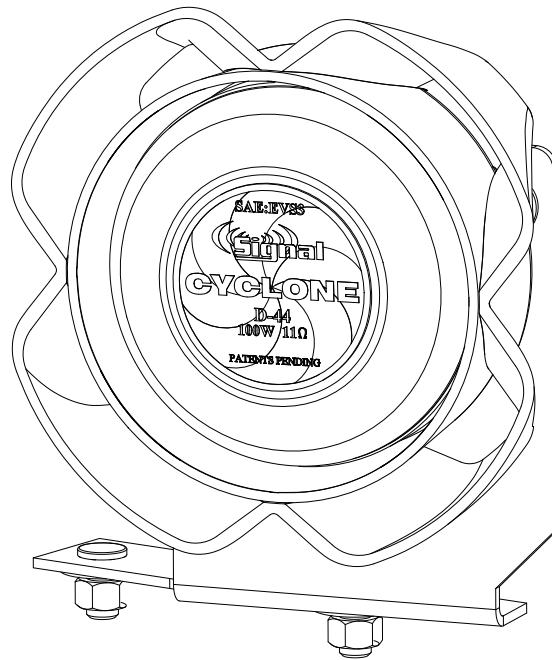
SPBRK-22LIR

CYCLONE

SPEAKER MOUNTING KIT FOR

08-16 FORD F250 & F350

(FOG LIGHT OPENING)



Please Note: These instructions are provided as a general guideline only. Specific mounting, wiring, and/or weather-sealing may be necessary and are the sole responsibility of the installer. The manufacturer assumes no responsibility for the integrity of the installation for this or any of its products.



WARNING: ALWAYS WEAR HEARING PROTECTION PER OSHA 1910.95



Star Headlight & Lantern Co., Inc.

455 Rochester Street Avon, NY 14414 Phone: 585-226-9787 FAX: 888-478-2797

STAR
WARNING
SYSTEMS

STAR SIGNAL
VEHICLE PRODUCTS

BRADFORD
Vehicle Solutions

www.starheadlight.com

PLIT427-22 REV. B 3/8/17

SPBRK-22 Parts List

PART NUMBER	DESCRIPTION	QTY.
S30150-260L	DRIVER'S SIDE BRACKET (SPBRK-22L)	1
S30150-260R	PASSENGER'S SIDE BRACKET (SPBRK-22R)	1
P30078-6	18-8 SS FLAT WASHER	2
P30098-2	3/8-16 HEX NUT w/NYLON INSERT	2
P30069-64	THREAD LOCKING COMPOUND	1

Installation

1. Mount speaker to bracket:

- Remove three (3) bolts from back of D-44 speaker. (SEE FIG.2)
- Apply thread locker to threads.
- Speaker wires must exit bottom of speaker (SEE FIG.1)
- Align holes in bracket to speaker and re-install bolts.
- Torque bolts to 30 in-lbs.

2. Remove fog light or filler panel:

- Remove 3 bolts for filler panel or fog light.
- The speaker will be mounted in its place.
- Remove 2 plastic push rivets from frame.
- Mounting studs will insert in this location.

3. Install Cyclone Speaker:

- Insert bracket with previously installed speaker.
- Use flat washers and lock nuts provided.
- Torque nuts to ~20 ft-lbs

4. Route wires:

- Route wires so they are not in contact with any sharp or abrasive surface.
- Fasten securely to nearby features.
- Refer to siren installation manual for wiring connections.

IMPORTANT!
Speaker must be mounted with
drain hole/wiring exit facing down.
Failure to do so will void warranty!

FIG.1

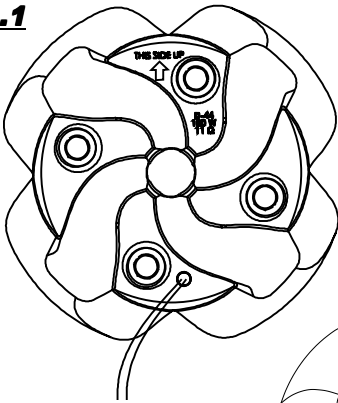


FIG.2

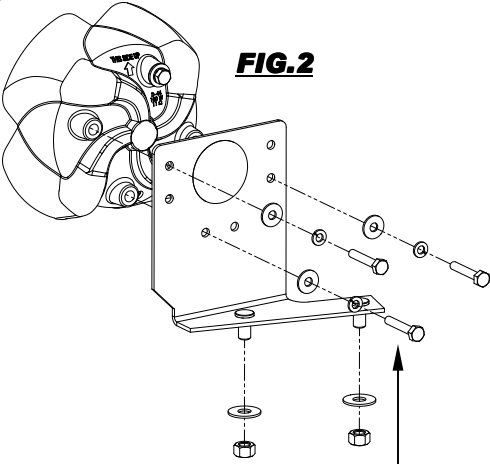
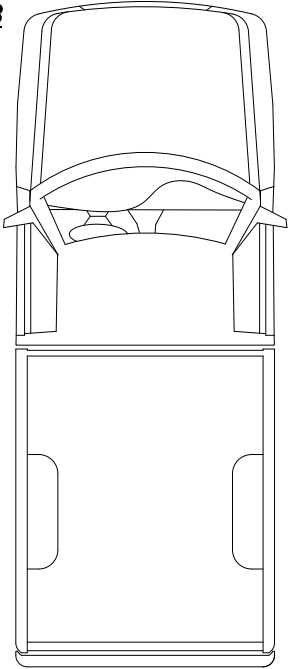


FIG.3



! Apply the enclosed
thread-locking compound
to all bolts!!



WARNING: ALWAYS WEAR HEARING PROTECTION PER OSHA 1910.95

!!! WARNING !!!

Devices should be mounted only in locations listed in SAE standard J1849. Assure clearances before drilling in vehicle. Sound levels produced by speakers can cause permanent hearing loss. Never operate this unit without adequate hearing protection for you and others in the area. (OSHA 1910.95)

ONE YEAR LIMITED WARRANTY

The manufacturer warrants each new product against factory defects in material and workmanship for one year after the date of purchase. The owner will be responsible for returning to the Service Center any defective item(s) with the transportation costs prepaid. The manufacturer will, without charge, repair or replace *at its option*, products, or part(s), which its inspection determines to be defective. Repaired or replacement item(s) will be returned to the purchaser with transportation costs prepaid from the service point. A copy of the purchaser's receipt must be returned with the defective item(s) in order to qualify for the warranty coverage. Exclusions from this warranty include, but are not limited to, bulbs, strobe tubes, domes, and/or the finish. This warranty shall not apply to any light, which has been altered, such that in the manufacturer's judgment, the performance or reliability has been affected, or if any damage has resulted from abnormal use or service.

There are no warranties expressed or implied (including any warranty of merchantability or fitness), which extend this warranty period. **The loss of use of the product, loss of time, inconvenience, commercial loss or consequential damages, including costs of any labor, are not covered.** The manufacturer reserves the right to change the design of the product without assuming any obligation to modify any product previously manufactured.

This warranty gives you specific legal rights. You might also have additional rights that may vary from state to state. Some states do not allow limitations on how long an implied warranty lasts. Some states do not allow the exclusion or limitation of incidental or consequential damages. Therefore, the above limitation(s) or exclusion(s) may not apply to you.

If you have any questions concerning this or any other product, please contact our **Customer Service Department** at (585) 226-9025.

If a product must be returned for any reason, please contact our Customer Service Department to obtain a Returned Materials Authorization number (RMA #) before you ship the product back. Please write the RMA # clearly on the package near the mailing label.



PROUDLY MADE IN THE USA
An ISO 9001:2000 Certified Company

NOTICE

Due to continuous product improvements, we must reserve the right to change any specifications and information, contained in this manual at any time without notice. The manufacturer makes no warranty of any kind with regard to this manual, including, but not limited to, the implied warranties of merchantability and fitness for a particular purpose. The manufacturer shall not be liable for errors contained herein or for incidental or consequential damages in connection with the furnishing, performance, or use of this manual.



Star Headlight & Lantern Co., Inc.

455 Rochester Street Avon, NY 14414 Phone: 585-226-9787 FAX: 888-478-2797



www.starheadlight.com