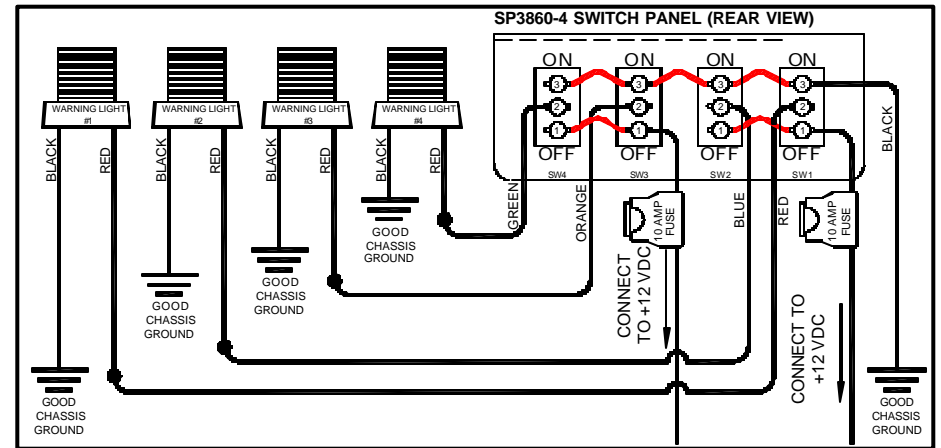


WIRING INSTRUCTIONS FOR STAR SWITCH #SP3860-4 (ON/OFF)(ON/OFF)(ON/OFF)(ON/OFF) Switches

The SP3860-4 is designed to operate four warning lights or strobe packs. Please refer to the diagram on the reverse side of this sheet and the written instructions below for proper wiring.

- IMPORTANT:** Please read all of the following instructions before installing your new switch. This instruction sheet applies only to the model #SP3860-4. The #SP3860-4 is designed to operate four warning lights or strobe packs.
- CAUTION:** All of our DC powered warning lights are polarity sensitive. These lights are polarity protected *only if the appropriate fuses are used*. All wires connected to the positive terminal of the battery should be fused at the battery for their rated load, *in addition to* the fuse provided at the switch panel. **Testing the light before these fuses are properly installed will void the warranty on the switch and light.**
- The black wire from terminal 3 of Switch 1 is the ground lead and should be connected to a good chassis ground.
- The black wires from all four warning lights should be connected to good chassis grounds.
- Connect the red wire from terminal 2 of Switch 1 to the red wire from one of your warning lights.
- Connect the blue wire from terminal 2 of Switch 2 to the red wire from the second warning light.
- The orange wire from terminal 2 of Switch 3 should be connected to the red wire from your third warning light.
- The green wire from terminal 2 of Switch 4 should be connected to the red wire from your fourth warning light.
- Connect the fused red wires from terminal 1 of Switch 1 and from terminal 1 of Switch 3 to the positive side of the 12VDC power through a 10, 15, or 20 amp fuse, depending upon the **total** current draw of the lights you are installing. *Be sure to check the label on the warning lights for proper voltage and current.*
- When properly installed, Switch 1 will be on the left side of the switch panel (front view) and turn your first strobe light on and off, Switch 2 will be second from the left and turn the second warning light on and off, Switch 3 will be third from the left on the switch panel and turn the third warning light on and off, and Switch 4 will be on the right and turn your fourth warning light on and off.

If you have any questions concerning this or any other Star product, please contact our Customer Service Department at (585) 226-9787.



ONE YEAR LIMITED WARRANTY

The manufacturer warrants each new product, under normal use, against factory defects in material and workmanship for one year after the date of purchase. The owner will be responsible for returning to the Service Center any defective item(s) with the transportation costs prepaid. The manufacturer will, without charge, **repair or replace at its option**, products, or part(s), which its inspection determines to be defective. Repaired or replacement item(s) will be returned to the purchaser with transportation costs prepaid from the service point. A copy of the purchaser's receipt must be returned with the defective item(s) in order to qualify for the warranty coverage.

Exclusions from this warranty include, but are not limited to, bulbs, strobe tubes, domes, and/or the finish. This warranty shall not apply to any light, which has been altered, such that in the manufacturer's judgment, the performance or reliability has been affected, or if any damage has resulted from abnormal use or service. This warranty does not apply to defect or damage occurring as a result of disaster, accident, abuse, misuse, lightning, power surges, or failure to follow instructions in any enclosed manuals. Any damage or defects occurring as a result of any unauthorized service or repairs by unauthorized persons shall be excluded from this warranty.

There are no warranties expressed or implied (including any warranty of merchantability or fitness), which extend this warranty period. **The loss of use of the product, loss of time, inconvenience, commercial loss or consequential damages, including costs of any labor, are not covered.** The manufacturer reserves the right to change the design of the product without assuming any obligation to modify any product previously manufactured.

This warranty gives you specific legal rights. You might also have additional rights which may vary from state to state. Some states do not allow limitations on how long an implied warranty lasts. Some states do not allow the exclusion or limitation of incidental or consequential damages. Therefore, the above limitation(s) or exclusion(s) may not apply to you.



Star Headlight & Lantern Co., Inc.

455 Rochester Street
Avon, NY 14414
Phone: 585-226-9500
Toll Free Fax: 888-478-2797



www.star1889.com



If a product must be returned for any reason, please contact our Customer Service Department at 585-226-9787 to obtain a Returned Goods Authorization number (RGA #) before you ship the product back. Please write the RGA # clearly on the package near the mailing label.