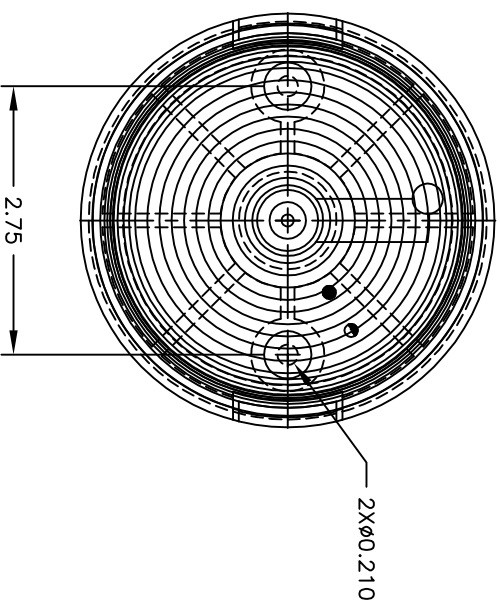
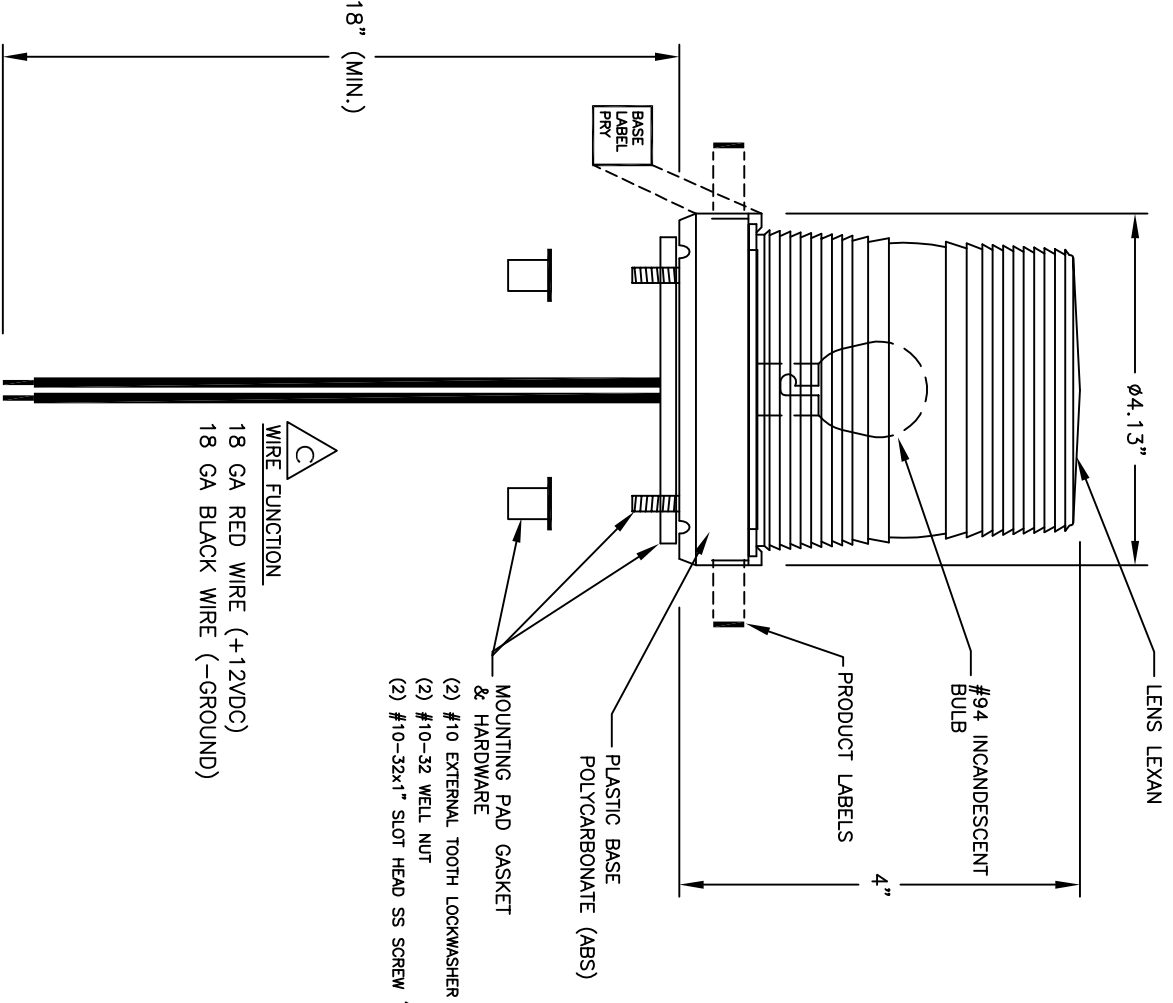


REV.	ECR	DESCRIPTION	DATE
A	1663	INITIAL DRAWING REQUEST	07/10/98
B	8592	ADDED NEW DRAWING FORMAT PCARTZFOLDU WAS PCART200ZUN, P30024-14 WAS F609	09/09/09
C	11882	ADDED SPECIFICATIONS, WIRE FUNCTION, MOUNTING PARTS	04/08/14



NOTES:

- 1) INSTRUCTION SHEET:
P/N PLITSTR43
- 2) PACKING:
UNIT BOX P/N PCARTZFOLDU
10 x 12 POLY BAG P/N P30024-14
BOX LABEL BLANK P/N PLABSTR
- 3) LENS: AMBER, BLUE, CLEAR, GREEN, RED

SPECIFICATIONS

Typical Input Voltage Range: 10-16 VDC
 Typical Current Draw: 1.0A @ 12VDC
 Connections: 18" Min. wires exiting the unit.
 Permanent Mounting: 2 Holes @ 2.75" Center & 1/2"NPT for Pipe mount
 Dimensions: (Tall Dome): 4.00" tall x ø4.13".
 Individual Shipping weight: 2.0 lbs.

UNLESS OTHERWISE SPECIFIED: DIMENSIONS ARE IN INCHES Dill Tolerances ± 0.003		DRAWN BY: DPL	
artwork and board size TOLERANCES: ANGULAR: ± 2 DEG. X ± .100 XX ± .020 XXX ± .005 XXXX ± .001		THE INFORMATION CONTAINED IN THIS DRAWING IS THE SOLE PROPERTY OF STAR HEADLIGHT & LANTERN CO., INC.. ANY REPRODUCTION IN PART OR AS A WHOLE WITHOUT THE WRITTEN PERMISSION OF STAR HEADLIGHT & LANTERN CO., INC. IS STRICTLY PROHIBITED.	
ROHS COMPLIANT: NA		TITLE: MODEL DRAWING	
MATERIAL: NA		MODEL 20Z1 SERIES INCANDESCENT LIGHT	
FINISH: NA		DWG. NO. 21Z1-12	
		REV C	
		SCALE: 1:1 DO NOT SCALE FROM DRAWING SHEET 1 OF 1	
STAR HEADLIGHT & LANTERN CO., INC. 455 ROCHESTER ST. AVON NY 14414 Ph: (585)226-9500 Fax: (585) 226-2029			