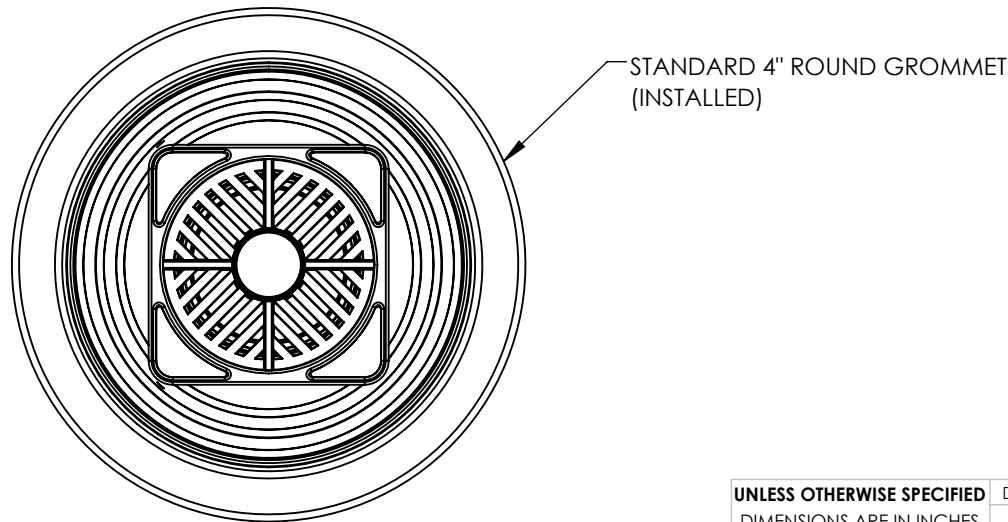
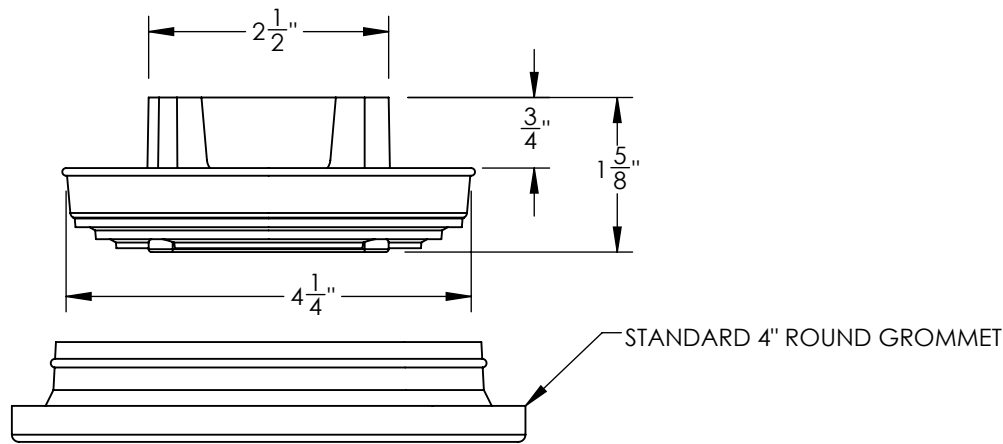


REV.	ECR	DESCRIPTION	DATE
-	15131	INITIAL DRAWING REQUEST	04/03/18



Model	dB	AMP	VDC	SAE J994
STANDARD				
63-087	87	.3	10-32	X
63-097	97	.3	10-32	X
63-097-12	97	.3	12	X
63-102	102	.3	10-32	
63-107	107	.4	10-32	X
DUAL TONE				
63-097DT	97	.3	10-32	
63-102DT	102	.3	10-32	
AUTO-ADJUST				
63-707A	77-97	.4	10-32	
63-802A	82-102	.4	10-32	X
63-807A	87-107	.4	10-32	X

- ALL REMAINING MEET THE ACOUSTICAL REQUIREMENTS OF SAE J994
- TEMPERATURE RANGE: -40 TO +85C
- dB TOLERANCE: ± 4 dB
- 9" RED & BLACK CONNECTION WIRES

UNLESS OTHERWISE SPECIFIED DIMENSIONS ARE IN INCHES TOLERANCES: ANGULAR: ± 2 DEG. .X ± .100 .XX ± .020 .XXX ± .005 .XXXX ± .001	DRAWN BY: MD	STAR HEADLIGHT & LANTERN CO., INC. 455 Rochester St. Avon NY 14414 Ph:(585) 226-9500 Fax: (585) 226-2029	
	DRAWING APPROVED BY ECR THE INFORMATION CONTAINED IN THIS DRAWING IS THE SOLE PROPERTY OF STAR HEADLIGHT & LANTERN CO., INC.. ANY REPRODUCTION IN PART OR AS A WHOLE WITHOUT THE WRITTEN PERMISSION OF STAR HEADLIGHT & LANTERN CO., INC. IS STRICTLY PROHIBITED.		
RoHS COMPLIANT: YES	MODEL: 63-* SERIES		TITLE: 63 SERIES MODEL DRAWING
MATERIAL: NONE	DWG. NO. 63 SERIES		REV -
FINISH: NONE	SCALE: 1:2	DO NOT SCALE FROM DRAWING	SHEET 1 OF 1