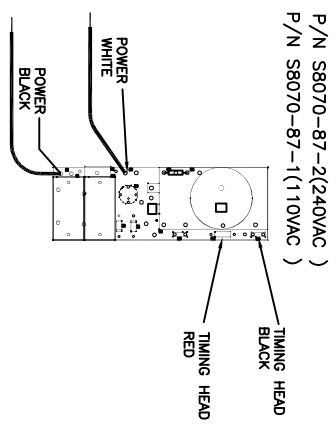
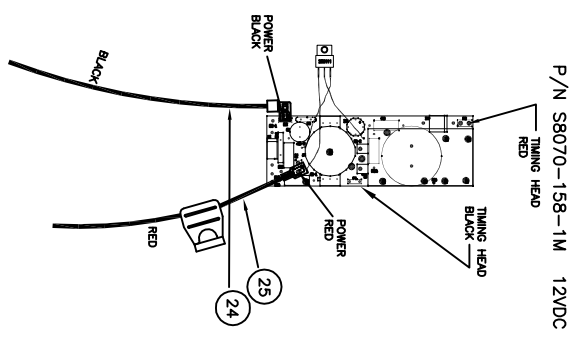


REV.	ECR	DESCRIPTION	DATE
-	358	INITIAL DRAWING REQUEST	11/16/95
A	3284	UPDATED P/N,S REFORMAT	10/29/99
B	3558	UPDATED P/N,S	04/21/00
C	5649	CHANGED S104-S TO S104-S-2	04/30/04
D	6153	ADDED DOUBLE FLASH	05/12/05
E	7542	P30017-30 WAS P30017-5,RWVD P30017-8,ADDED P30092-4,P30072-2,PLABUSALG,PLABUSAT,SWH-1111, SW0018AM1224,SCART250S.	02/22/08
F	8270	ADDED NEW DRAWING FORMAT, PARTS LIST & VIEWS	06/26/09
G	9714	REMOVED ITEM#5 P129-BUB, REPLACED BY ITEM #4 P129ASP	05/11/11
H	10985	ITEM #10 P/N S111-8 WAS P111U, QTY. (1) WAS (2), ADDED ITEM #28 PCART400B-1, P30024-12, PCART400B, PCARTCINSERT	02/18/13



UNLESS OTHERWISE SPECIFIED:
 DIMENSIONS ARE IN INCHES
 Drill Tolerances ± 0.003
 Artwork and board size TOLERANCES:
 ANGULAR: ± 2 DEG.
 X ± 100
 XX ± .020
 XXX ± .005
 XXXX ± .001

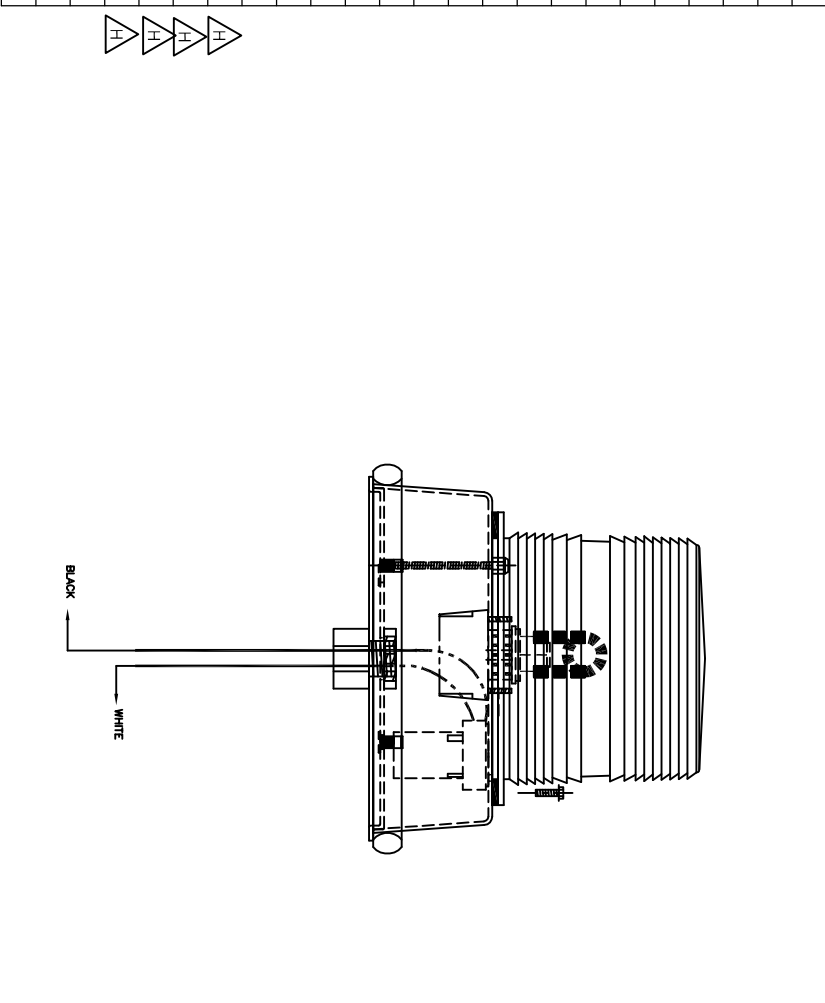
DRAWN BY: DPL
 DRAWING APPROVED BY ECR
 THE INFORMATION CONTAINED IN THIS DRAWING IS THE SOLE PROPERTY OF STAR HEADLIGHT & LANTERN CO., INC.. ANY REPRODUCTION IN PART OR AS A WHOLE WITHOUT THE WRITTEN PERMISSION OF STAR HEADLIGHT & LANTERN CO., INC. IS STRICTLY PROHIBITED.

STAR HEADLIGHT & LANTERN CO., INC.
 455 ROCHESTER ST. AVON NY 14414
 Ph: (585) 226-9500 Fax: (585) 226-2029
 MODEL: 200E-12V-*/ 110V-* (SINGLE FLASH)
 200ED-110V-*/ 240V-* (DOUBLE FLASH)
 TITLE: ASSEMBLY DRAWING
 DWG. NO. ADS-200E
 SCALE: 1:1 DO NOT SCALE FROM DRAWING SHEET 1 OF 2

REV H

ITEM NO.	PART NUMBER	DESCRIPTION	200E-12V QTY.	200E-110V QTY.	200ED-110V QTY.	200ED-240V QTY.
1	P300WF	(**= A,B,C,G,M,R) DOME	1	1	1	1
2	P30053-14	#8-32 X 1/2" SLOTTED SCREW	3	3	3	3
3	P301	GASKET	1	1	1	1
4	P129ASP	FLASH TUBE	1	1	1	1
5	P30092-4	KEP NUT	2	2	2	2
6	P30072-2	#6 FLAT WASHER	2	2	2	2
7	P30054-12	#10-24 X 2-3/4 SLOTTED SCREW	2	2	2	2
8	P101-CP	CASE	1	1	1	1
9	PLAB31	PRODUCT MODEL LABEL	1	1	1	1
10	S111-8	U CHANNEL RUBBER GASKET(24")	1	1	1	1
11	S8070-108-1	TIMING HEAD (SINGLE FLASH)	1	1	-	-
12	S8070-88-1	TIMING HEAD (DOUBLE FLASH)	-	-	1	1
13	P401-1-15	TAPE (1 @ 4")	.003	.003	.003	.003
14	S8070-87-1	110VAC POWER SUPPLY	-	1	1	-
15	S8070-158-1M	12VDC POWER SUPPLY	1	-	-	-
16	S8070-87-2	240VAC POWER SUPPLY	-	-	-	1
17	P30100-2	1/2" LDOCK NUT	1	1	1	1
18	S104-S-2	BASE PLATE PIPE MOUNT	1	1	1	1
19	P316	1/2" X 3/4" ENLARGER	1	1	1	1
20	PLAB1875375	WARNING LABEL/110+&110-	1	3	3	3
21	PLABUSAT	USA/FLAG/ASSY.BY/TESTED LABEL	1	1	1	1
22	S30017-30	HEAT SINK MOUNT KIT(12V ONLY)	1	-	-	-
23	P7086-1	SILICONE	.025	-	-	-
24	SW0018AM1224	24' 18GA BLACK WIRE	1	-	-	-
25	SWH-111	24' 18AWG FUSE HOLDER	1	-	-	-
26	PLITSTR101	WARRANTY SHEET	1	1	1	1
27	SCART250	PACKING	-	-	1	1
28	PCART400B-1	PACKING	1	1	-	-
29	P30024-12	12' X 16' POLY BAG	1	1	-	-
30	PCART400B	CARTON	1	1	-	-
31	PCARTCINSERT	CARTON INSERT	1	1	-	-
32	PLAB64	BDX LABEL	1	1	1	1
33	PLABUSALG	MADE IN USA/FLAG/STARMAN LOGO	1	1	1	1
34	PLAB75X255	LOT CODE/DATE LABEL	1	1	1	1

REV.	ECR	DESCRIPTION	DATE
-	358	INITIAL DRAWING REQUEST	11/16/95
A	3284	UPDATED P/N'S REFORMAT	10/29/99
B	3558	UPDATED P/N'S	04/21/00
C	5649	CHANGED S104-S TO S104-S-2	04/30/04
D	6153	ADDED DOUBLE FLASH	05/12/05
E	7542	P30017-30 WAS P30017-5,RWVD P30017-8,ADDED P30092-4,P30072-2,PLABUSALG,PLABUSAT,SWH-111, SW0018AM1224,SCART250S.	02/22/08
F	8270	ADDED NEW DRAWING FORMAT, PARTS LIST & VIEWS	06/26/09
G	9714	REMOVED ITEM#5 P129-BUB, REPLACED BY ITEM #4 P129ASP	05/11/11
H	10985	ITEM #10 P/N S111-8 WAS P111U, QTY. (1) WAS (2), ADDED ITEM #28 PCART400B-1, P30024-12, PCART400B, PCARTCINSERT	02/18/13



UNLESS OTHERWISE SPECIFIED:
 DIMENSIONS ARE IN INCHES
 Drill Tolerances ± 0.003

Finish: NA

ROHS COMPLIANT: NA

DRAWN BY: DPL
 DRAWING APPROVED BY ECR

THE INFORMATION CONTAINED IN THIS DRAWING IS THE SOLE PROPERTY OF STAR HEADLIGHT & LANTERN CO., INC. ANY REPRODUCTION IN PART OR AS A WHOLE WITHOUT THE WRITTEN PERMISSION OF STAR HEADLIGHT & LANTERN CO., INC. IS STRICTLY PROHIBITED.

STAR HEADLIGHT & LANTERN CO., INC.
 455 ROCHESTER ST. AVON NY 14414
 Ph: (585)226-9500 Fax: (585) 226-2029

MODEL: 200E-12V-*/110V-*/(SINGLE FLASH)
 200ED-110V-*/240V-*/(DOUBLE FLASH)

TITLE: ASSEMBLY DRAWING

DWG. NO. ADS-200E REV H

SCALE: 1:1 DO NOT SCALE FROM DRAWING SHEET 2 OF 2