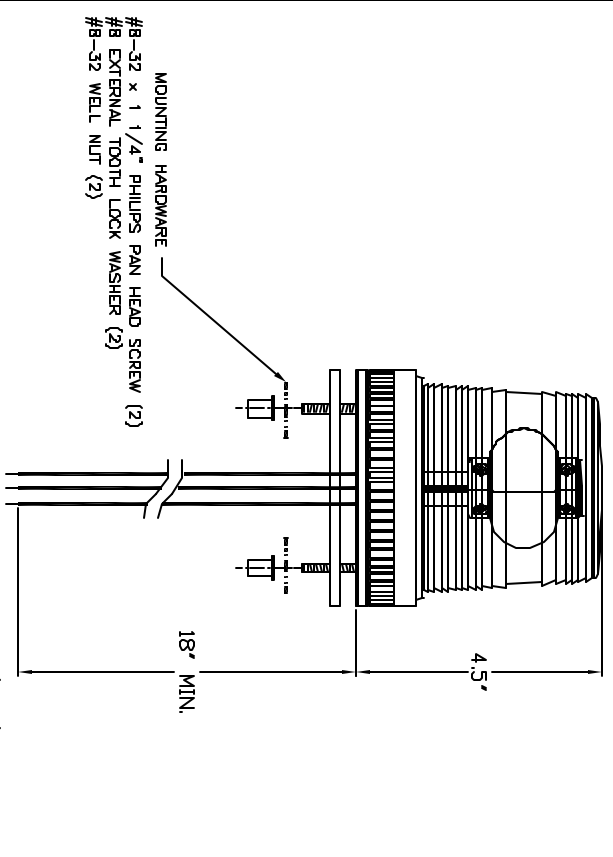
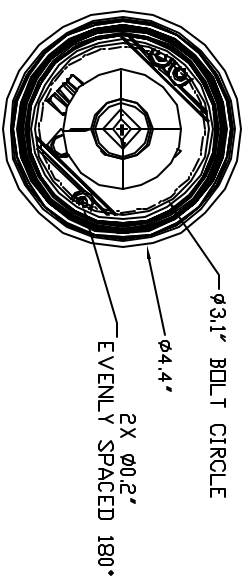


REV.	EQR	DESCRIPTION	DATE
—	10989	INITIAL DRAWING REQUEST	02/28/13



18 GA RED WIRE (+12V)
 18 GA BLACK WIRE (-GROUND)
 22 GA GREEN WIRE (PATTERN SELECT)

SPECIFICATIONS:

Typical Input Voltage Range: 10–18VDC
 Typical Current Draw (4 LED Module): 12.8VDC=0.42A
 Typical Light Output (4 Amber LED Module): 564 lm(pk)
 Typical Light Output (4 Blue LED Module): 209 lm(pk)
 Typical Light Output (4 Cool White LED Module): 814 lm(pk)
 Typical Light Output (4 Warm White LED Module): 670 lm(pk)
 Lumen Maintenance: 85% lumen after 100,000 hours of operation
 Operating Temperature Range: -40C to 55C
 Connectors: 18 inch (min.) wires exiting the unit.
 Permanent Mounting: 2 Hole Pattern 3.1" BC
 Materials: Outer Dome: Polycarbonate
 Inner Optics: Polycarbonate
 Base: Die Cast
 Mounting Gasket: .187 Sponge Rubber, EPDM

Model Numbers / Descriptions

Classifications for Visual Warning Devices:
 200ZHL-12V-A: SAE J845 Class 1, 4 Warm White LEDs
 200ZHL-12V-BC: SAE J845 Class 1, 4 Blue LEDs
 200ZHL-12V-C: SAE J845 Class 1, 4 Cool White LEDs
 200ZHL-12V-R: SAE J845 Class 1, 4 Warm White LEDs

Note 1: All specifications based on Quad Flash Pattern.
 Note 2: All light output specifications are of the internal light module acting alone.

UNLESS OTHERWISE SPECIFIED DIMENSIONS ARE IN INCHES	DRAWN BY:	TA		
	TOLERANCES:	DRAWING APPROVED BY: EQR		
ANGULAR: ± 2 DEG.	THE INFORMATION CONTAINED IN THIS DRAWING IS THE SOLE PROPERTY OF STAR HEADLIGHT & LANTERN CO., INC. ANY REPRODUCTION IN PART OR AS A WHOLE WITHOUT THE WRITTEN PERMISSION OF STAR HEADLIGHT & LANTERN CO., INC. IS STRICTLY PROHIBITED.			
MATERIAL:	MODEL: 200ZHL-12V-*			
FINISH:	TITLE: 200ZHL MODEL DRAWING			
N/A	DVG: ND			
N/A	SCALE: 1:2 00 NOT SCALE FROM DRAWING SHEET 1 OF 1			
STAR HEADLIGHT & LANTERN CO., INC. 455 Rochester St. Avon NY 14414 Ph:(585) 226-9500 Fax: (585) 226-2029			REV -	