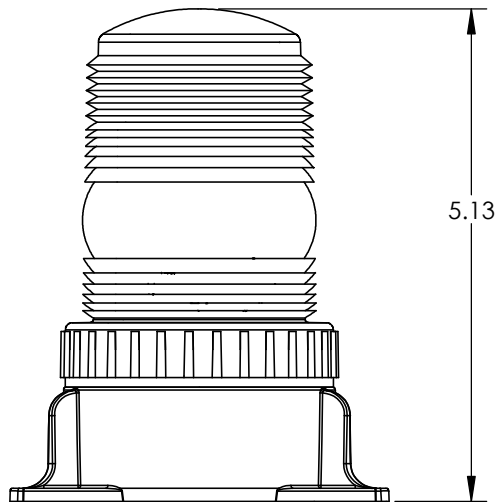
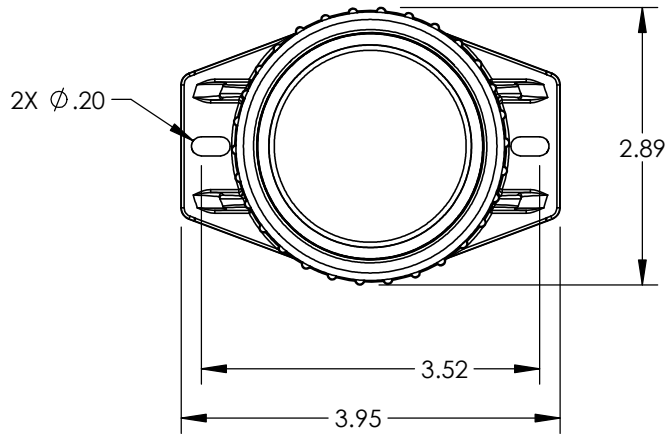


REV.	ECR	DESCRIPTION	DATE
-	16799	INITIAL DRAWING REQUEST	09/18/19
A	17093	UPDATED SAE CLASSIFICATIONS	02/12/20



SPECIFICATIONS:

OPERATING RANGE: 10-110 VDC
 NOMINAL VOLTAGE: 12/24/36/48/72 VDC
 TYPICAL CURRENT DRAW: 0.1A AVG, 0.4A PEAK @ 12.8V
 OPERATING TEMPERATURE RANGE: -40F (-40C) TO 131F (55C)

CONNECTIONS:

22 GAGE RED WIRE 10" (254mm) LONG + POWER
 22 GAGE BLACK WIRE 10" (254mm) LONG - GROUND
 22 GAGE GREEN WIRE 10" (254mm) LONG - PATTERN SELECT

INSTALLATION:

2 HOLE FLANGE MOUNTING 3.5"

MOUNTING HARDWARE:

#10-24X 1/2" CARRIAGE BOLT
 #10 INT TOOTH LOCK S/S 410 WASHER
 #10-24 MS HEX SCR NUT STAINLESS STEEL
 BUTT SPLICE #18-22 AWG
 CLOSED END WIRE CONNECTOR
 SNAP BUSHING FOR .375 HOLE

MATERIALS:

OUTER DOME: POLYCARBONATE
 BASE: POLYCARBONATE
 MOUNTING GASKET: EPDM CLOSED CELL RUBBER

CERTIFICATIONS:

SAE J845
 SEE CHART

PRODUCT LABEL:

WHITE POLYESTER STOCK 1" X 2"
 BLACK PRINT

INDIVIDUAL PACKAGING: APPROXIMATELY 0.3Kg(0.7 lbs.)

INDIVIDUAL WHITE BOXES
 MODEL INFORMATION PRINTED ON LABEL
 MODEL BAR CODE PRINTED ON LABEL

INSTRUCTION SHEET:

1 PROVIDED

MODEL	COLOR	CLASSIFICATION
204MVL-A	AMBER	SAE W3-2 19
204MVL-B	BLUE	TBD
204MVL-C	WHITE	TBD
204MVL-G	GREEN	TBD
204MVL-R	RED	TBD



UNLESS OTHERWISE SPECIFIED DIMENSIONS ARE IN INCHES TOLERANCES: ANGULAR: ± 2 DEG. .X ± .100 .XX ± .020 .XXX ± .005 .XXXX ± .001	DRAWN BY: MD	STAR HEADLIGHT & LANTERN CO., INC. 455 Rochester St. Avon NY 14414 Ph:(585) 226-9500 Fax: (585) 226-2029
	DRAWING APPROVED BY ECR	
RoHS COMPLIANT: Yes	THE INFORMATION CONTAINED IN THIS DRAWING IS THE SOLE PROPERTY OF STAR HEADLIGHT & LANTERN CO., INC.. ANY REPRODUCTION IN PART OR AS A WHOLE WITHOUT THE WRITTEN PERMISSION OF STAR HEADLIGHT & LANTERN CO., INC. IS STRICTLY PROHIBITED.	MODEL: 204MVL-* FORMAL REV:001
MATERIAL: N/A		TITLE: 204MVL MODEL DRAWING
FINISH: N/A		DWG. NO. 204MVL REV 001
		SCALE: 1:2 DO NOT SCALE FROM DRAWING SHEET 1 OF 1