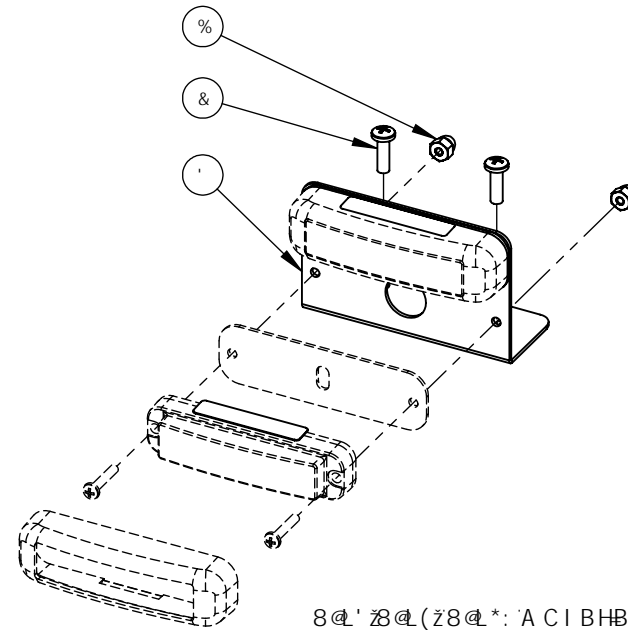
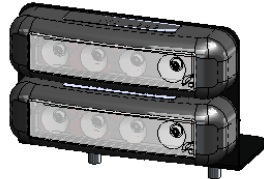
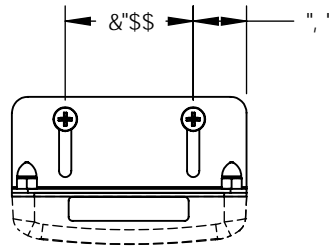
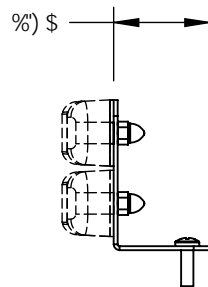
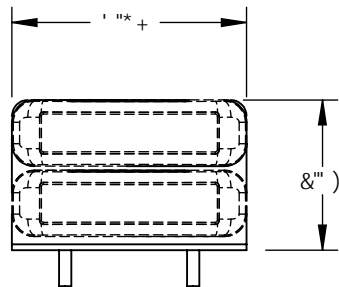


#PA BC	D5FHBI A 69F	8 9G7 F-DHC B	G5F	; 5 @G	
%	D' \$\$- &+	, *!' &57 C FB BI HG#G) #%' "k-F958 '89DH-	(	(	BCHG<CK B 5
&	D' \$\$) (!&'	, %\$'L) #, 'D<-@DG'G9@ 'H5D'HMD9 &' G#G	&	&	
'	D' \$%) \$!&+D	&L%8@ (!* '6F57 ?9H	%	%	
(	D' \$\$&(!%'	)L+DC @M65; 'fi C F '9BHF9?+L	%	%	
)	D@5 6&?L &K <=? #H@5 69@		%	%	
*	D@#( ) (6?H	-B GF I 7 HC B 'G<99H	%	!	
+	D@#( ) ( ; 5 @G	; 5 @G-B GF I 7 HC B 'G<99H	!	%	

F9J	97 F	8 9G7 F-DHC B	85H9
!	- %&	-B #H5 @8F5K -B; F9E I 9GH	\$* #9) #7&
5	- * \$)	#PA , + D@#( ) (6?HK 5GD@#( ) (	' #7&#&\$%&
6	%\$(' %	58898 D' \$\$) &%' / D' \$\$- &!(	* # #&\$%&
7	%&- ,	F9A C J 98 '8@* ' A C I BHB; 'J -9K ZD#B D' \$\$- &!(TBI HzD' \$\$) &%' % T67 F9K tZD' \$\$&!(+TDC @M65; tZ58898 8@* ' 5B8 8@* :	, #7&#&\$%&



8@' z8@ (z8@\* : A C I BHB;



I B @G G C H 9 F K -@9 @D97 ≠ 98	8F5K B'6M	A 8	G5F' <958@ <H/ @5BH#FB '7C'Z-B7''
8-A 9B G@BG5F9-B 'B7 <9G	8F5K -B; '5DDFCJ 98'6M97 F'		( ) FcVAYgYfGh''5j cb BM%((% (D\,f) )E&&*!-) \$\$'' : UI, f) )E&&*!&\$&-
.....HC @9F5B7 9G-	H:9 B: C F A 5HC B 7 C B H 5 B 98 -B H-K		A C 89@ &+(!8@ (!* !&L %
.....5B; I @5F, '± &89, "	8F5K -B: -G H-9GC @DFC D9F HMC:		H#99
.....L .....± %\$	G5F' <958@ <H/ @5BH#FB '7C'Z-B7''		8@ (!* !&L %A C I BHB; ?+H
.....LLL .....± %\$	5B M F9D F C 8 I 7 H C B -B D5F H C F 5G5		8K; "BC"
.....LLL .....± %\$	K <C @9 K #C I H H-9K F H#9B D9FA -GGC B		&+(!8@ (!* !&L %
.....LLLL .....± %\$	C: G5F' <958@ <H/ @5BH#FB '7C'Z-B7''		F9J
Fc<G7CA D@5BH M'g	-G6F 7 H M D F C <6+98"		7
A 5H#F-5@			
B #5			
: B G<			
B #5			
	G7 5 @, %'	8C BCHG75 @9: FCA 8F5K -B:	G<99H% C: %