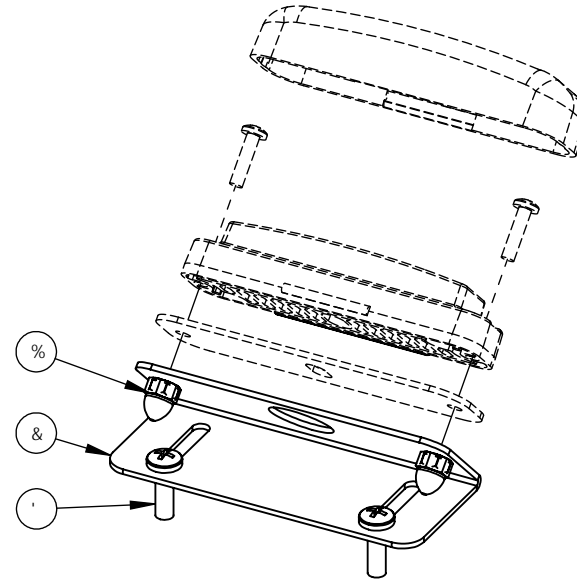
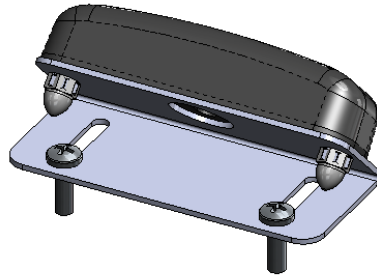
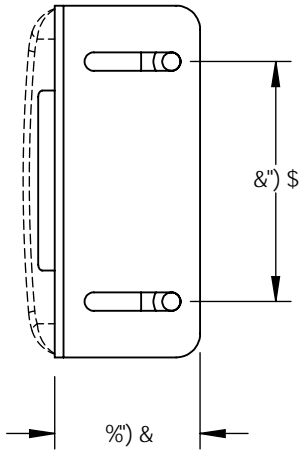


#PA BC	D5FHBI A 69F	8 9G7 F-DHC B	G5F	; 5
%	D' \$- & +	, *!' & 57 CFB 'BI HG#G) #%' "H:F958 89DH	&	&
&	D' \$% \$!&+*D	8 @ (!*' () '6F57?9H	%	%
'	D' \$\$) (!&	, %\$ L) #, 'D< @@@G G9@ 'H5D HMD9 &) 'G#G	&	&
(D' \$\$&(1%*) L+ DC @M65; 'fI C F '9BHF9?+L	%	%
)	D5 @6&%L &K <=	? H@5 69@	%	%
*	D@H() (6?H	G5F 'B GF I 7 HC B G<99H	%	!
+	D@H() (; 5	@G 'B GF I 7 HC B G<99H	!	%

BC HG<CK B

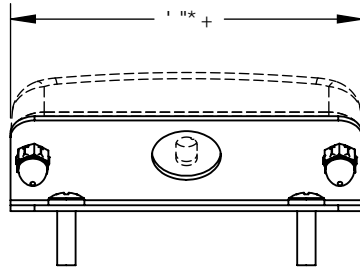
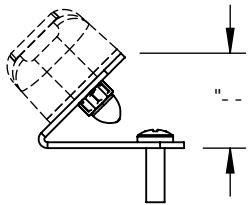
5

F9J	97 F	8 9G7 F-DHC B	85H9
!	-%	B H5 @8F5K B; F9E I 9GH	\$* #% #%
5	-* \$)	#PA ' , +D@H() (6?HK 5GD@H() (' #/8/#&\$%&%
6	%\$(' %	58898 D' \$\$) &% / 'D' \$- &!(*#* #&\$%&
7	%& ,	F9A C J 98 '8@* 'A C I BHB; 'J -9K ZD#B D' \$- &!(fB I HZD' \$\$) &! % fG7 F9K LZD' \$\$&(!+fDC @M65; Lz58898 '8@' '5B8 8@'.	, #/8/#&\$%&



8@' 78@ (78@* : A C I BHB;

7



I B @GGCH 9FK -G9GD97 ≠ 98	8F5K B'6M	A 8	G5F' <958@ <H/ ' @BHFB' 7C' Z-B7"
8-A 9BG@BG5F9-B' B7 <9G	8F5K-B; '5DDFCJ 98' 6M97 F'		() FcVAYgYfGh"5jcbBM%((% D\.)) E&&*!-) \$\$": UI.) E&&*!&\$&-
.....HC @F5B7 9G-	H:9 B: C FA 5HC B'7 C B H5 B 98 'B H<G		AC89@ &+(18@ (!*' ()
.....5B; I @5F. " ± 889. "	8F5K B: 'G H<9GC @DFC D9F HMC:		H#9
.....L ± %\$	G5F' <958@ <H/ ' @BHFB' 7C' Z-B7"		8@ (!*' () ? H8F5K B;
.....LLL ± %\$	5BMF9DFC 8I 7 HC B -B D5FHCF 5G5		8K; "BC"
.....LLLL ± %\$	K <C @K H<C I H<9K F H#B D9FA -GGC B		&+(18@ (!*' ()
	C: G5F' <958@ <H/ ' @BHFB' 7C' Z-B7"		F9J
Fc<G7CA D@5BH M'g	'G Gf 7 H M DFC <6+98"		7
A 5HF-5@			
B #5			
: B G<			
B #5			
	G75 @.%&	8C B CHG75 @: FCA 8F5K B:	G<99H% C: %