

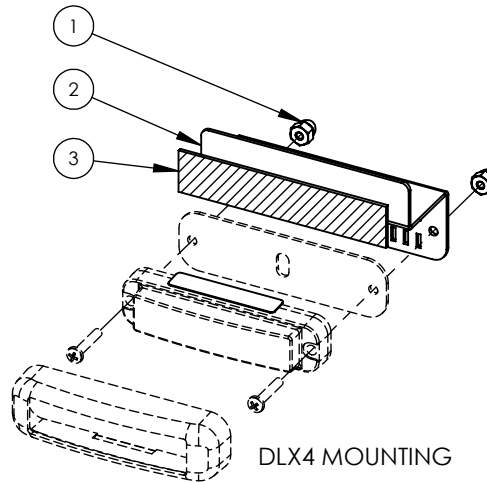
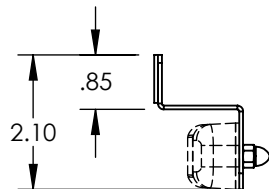
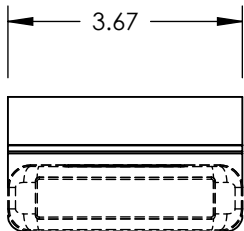
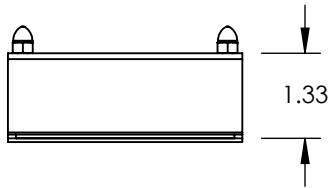
ITEM NO.	PART NUMBER	DESCRIPTION	STAR	GALLS
1	P30092-7	#6-32 ACORN NUT S/S 5/16" THREAD DEPTH	2	2
2	P30150-280P	DLX4-6 WINDOW BRACKET	1	1
3	P401-1	.75 WIDE 2 SIDED TAPE	.003	.003
4	P30092-4	#6-32 KEP NUT	2	2
5	P30052-19	#6-32 X 1-1/4 PHILLIPS M/S S/S	2	2
6	P30024-7	3X4 POLY BAG (FOR HARDWARE)	1	1
7	P30024-16	5X7 POLY BAG (FOR ENTIRE KIT)	1	1
8	PLAB21X2WHI	KIT LABEL	1	1
9	PLIT454BKT	STAR INSTRUCTION SHEET	1	-
10	PLIT454GALLS	GALLS INSTRUCTION SHEET	-	1

B

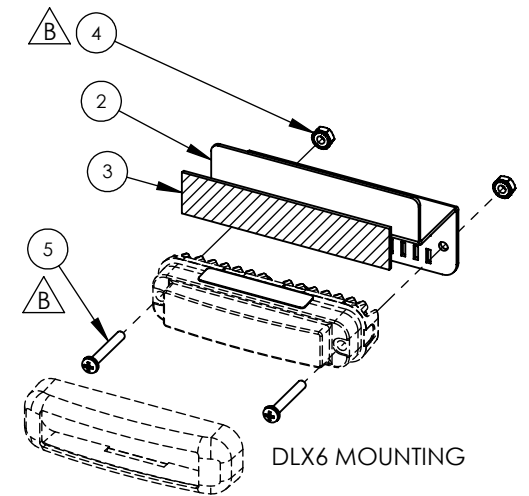
NOT SHOWN

A

REV.	ECR	DESCRIPTION	DATE
-	9118	INITIAL DRAWING REQUEST	06/15/10
A	9605	ITEM #7 PLIT454BKT WAS PLIT454	3/11/2011
B	10431	ADDED P30052-19 & P30092-4	6/6/2012



DLX4 MOUNTING



DLX6 MOUNTING

**UNLESS OTHERWISE SPECIFIED**

DIMENSIONS ARE IN INCHES

TOLERANCES:

ANGULAR: ± 2 DEG.

.X ± .100

.XX ± .020

.XXX ± .005

.XXXX ± .001

RoHS COMPLIANT: Yes

MATERIAL:

N/A

FINISH:

N/A

DRAWN BY: MD

**DRAWING APPROVED BY ECR**

THE INFORMATION CONTAINED IN THIS DRAWING IS THE SOLE PROPERTY OF STAR HEADLIGHT & LANTERN CO., INC.. ANY REPRODUCTION IN PART OR AS A WHOLE WITHOUT THE WRITTEN PERMISSION OF STAR HEADLIGHT & LANTERN CO., INC. IS STRICTLY PROHIBITED.

**STAR HEADLIGHT & LANTERN CO., INC.**

455 Rochester St. Avon NY 14414

Ph:(585) 226-9500 Fax: (585) 226-2029

MODEL: 274-DLX4-6-W

TITLE:  
DLX4-6-W KIT DRAWING

DWG. NO.

274-DLX4-6 W

REV

B

SCALE: 1:3

DO NOT SCALE FROM DRAWING

SHEET 1 OF 1