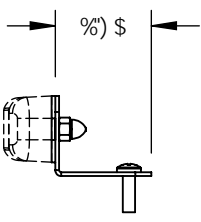
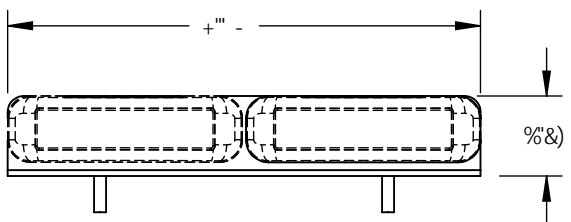
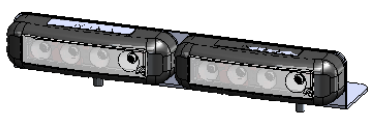
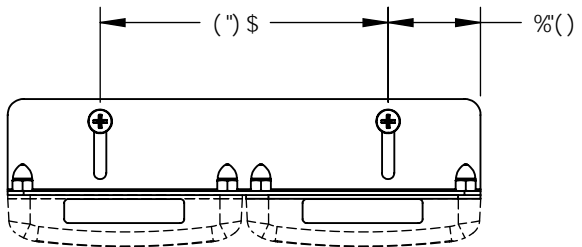
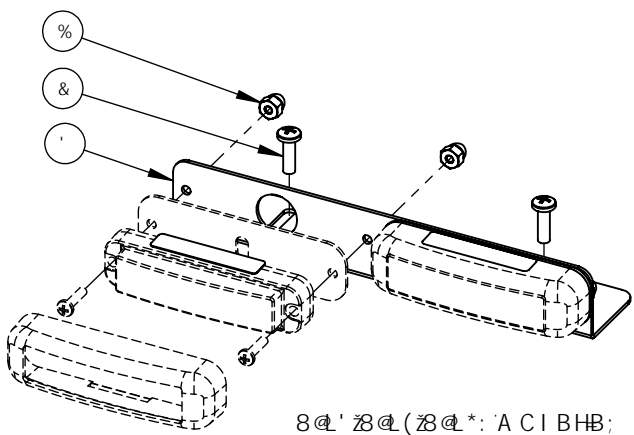


| | | | | |
|------------|-----------------|---|------|--------|
| +PA BC" | D5FHBI A 69F | 89G7 F-DHC B | G+5F | ; 5 @G |
| % | D' \$\$- &+ | ' *! & 57 CFB 'BI HG#G) #%' "HkF958 89DHk | (| (|
| & | D' \$\$) (!&' | ,\$\$ L) #, D< @DG9@ 'H5D'HMD9 &) 'G#G | & | & |
| ' | D' \$%) \$!&+(D | 8 @ (!*!%L & 6F57?9H | % | % |
| (| D' \$\$&(1%+ | +L &\$DC @M65; 'fI C F '9BHF9?+L | % | % |
|) | D@56&%L &K <= | ?H@569@ | % | % |
| * | D@#() (6?H | G+5F 'BGF I 7 HC B 'G<99H | % | ! |
| + | D@#() ; 5 @G | ; 5 @G-BGF I 7 HC B 'G<99H | ! | % |

BCHG<CK B

5

| | | | |
|-------|---------|--|--------------|
| F9J " | 97 F | 89G7 F-DHC B | 85H9 |
| ! | - %& | B #H @8F5K -B; F9E I 9GH | \$* #%) #/S |
| 5 | - * \$) | +PA ' , +D@#() (6?HK 5GD@#() (| ' #/S/#&\$%& |
| 6 | %S(' % | 58898 D' \$\$) &%/ ' D' \$\$- &!(| * #* #&\$%& |
| 7 | %& ' , | F9A C J 98 '8@ * A C I BHB; 'J -9K ZD#B D' \$\$- &!(fB I HzD' \$\$) &! % fG7 F9K LzD' \$\$&(!+fDC @M65; Lz58898 '8@ ' 5B8 '8@ ' , | , #/S/#&\$%& |



| | | | |
|-----------------------------|--|---------------------------|--|
| I B @GGCH 9FK -G9GD97 ≠ 98 | 8F5K B '6M | A 8 | G+5F <958@ <H/ @5BHFB '7C 'Z-B7 " |
| 8-A 9BGC BG5F9-B 'B7 <9G | 8F5K -B; '5DDFCJ 98 '6M97 F' | | () FcVAYgYfGh "5j cb BM% ((% D\ .f)) E&&*!-) \$\$ " : UI .f)) E&&*!&\$&- |
|HC @F5B7 9G- | H:9 B: C FA 5HC B '7 C B H B 98 -B H- G | | A C 89@ &+(!8 @ (!*!%L & |
|5B; I @5F. " ± & 89. " | 8F5K -B: 'G H-9GC @DFC D9FHMC: | | H#9. |
|L ± %S\$ | G+5F <958@ <H/ @5BHFB '7C 'Z-B7 " | | 8 @ (!*!%L & ? #18F5K -B; |
|LLL ± "\$S\$ | 5BMF9DFC 8I 7 HC B -B D5FHCF 5G5 | | 8K; "BC " |
|LLL ± "\$S\$ | K <C @9K #k C I Hk-9K F #H9B D9FA -GGC B | | &+(!8 @ (!*!%L & |
|LLLL ± "\$S\$ | C: G+5F <958@ <H/ @5BHFB '7C 'Z-B7 " | | F9J |
| Fc<G7CA D@5BH M'g | 'GfF 7 H@MDFC <6+98 " | | 7 |
| A 5Hf-5@ | | | |
| B #5 | | | |
| : B G< | | | |
| B #5 | | | |
| | G7 5 @. %' | 8C BCHG75 @: FCA 8F5K -B; | G<99H %C : % |