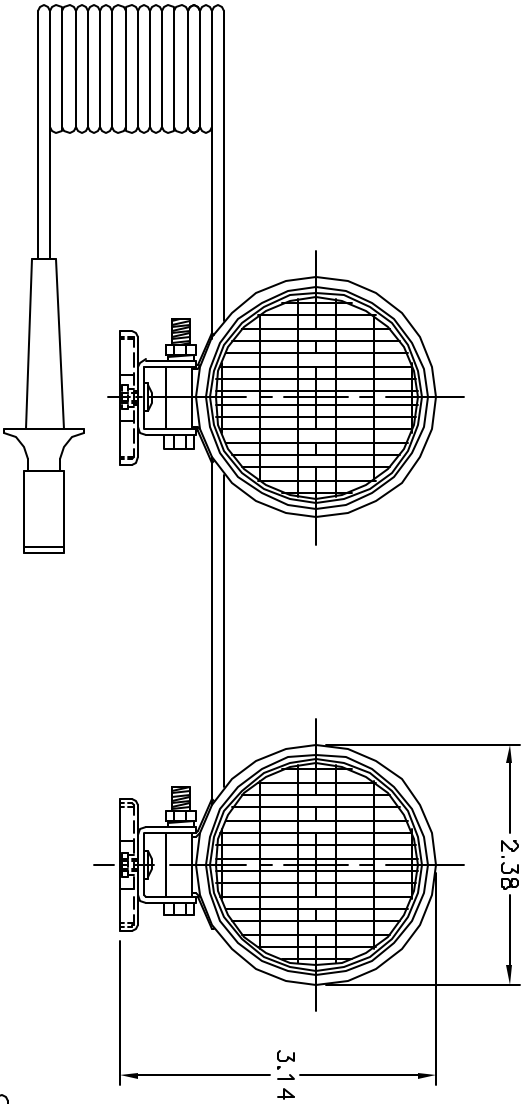
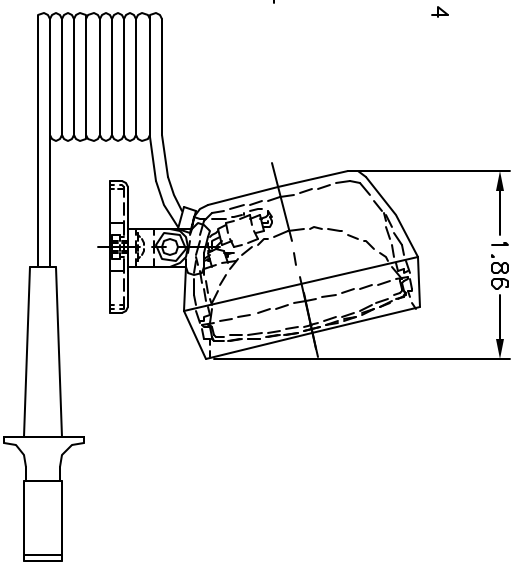


REV.	ECR	DESCRIPTION	DATE
-	3676	INITIAL DRAWING REQUEST	08/15/00
A	8545	ADDED NEW DRAWING FORMAT	08/13/09



FRONT VIEW OF ASS'Y.



SIDE VIEW OF ASS'Y.

UNLESS OTHERWISE SPECIFIED: DIMENSIONS ARE IN INCHES Dmit Tolerances ± 0.003		DRAWN BY: <b>DPL</b>	
Angular and board size TOLERANCES: ANGULAR: ± 2 DEG. XX ± .020 XXX ± .005 XXXX ± .001		DRAWING APPROVED BY ECR	
ROHS COMPLIANT: NA		THE INFORMATION CONTAINED IN THIS DRAWING IS THE SOLE PROPERTY OF STAR HEADLIGHT & LANTERN CO., INC. ANY REPRODUCTION IN PART OR AS A WHOLE WITHOUT THE WRITTEN PERMISSION OF STAR HEADLIGHT & LANTERN CO., INC. IS STRICTLY PROHIBITED.	
MATERIAL: NA		MODEL: 510-TK	
FINISH: NA		TITLE: MODEL DRAWING	
SCALE: 1:1		DWG. NO. 510-TK	
DO NOT SCALE FROM DRAWING		REV A	
SHEET 1 OF 1		STAR HEADLIGHT & LANTERN CO., INC. 455 ROCHESTER ST. AVON NY 14414 Ph: (585)226-9500 Fax: (585) 226-2029	