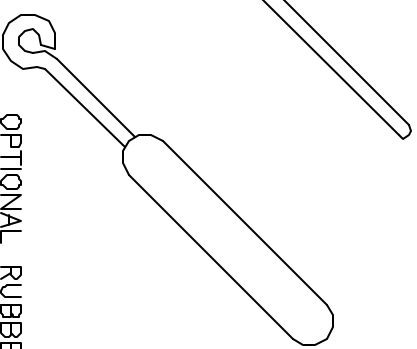
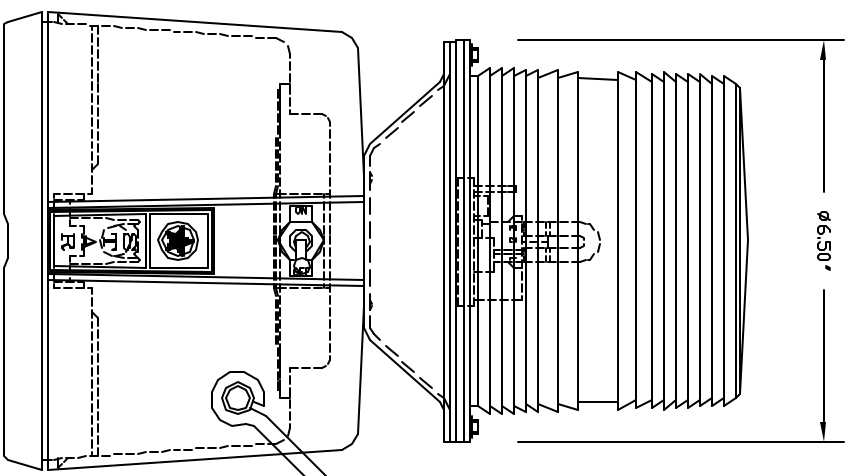
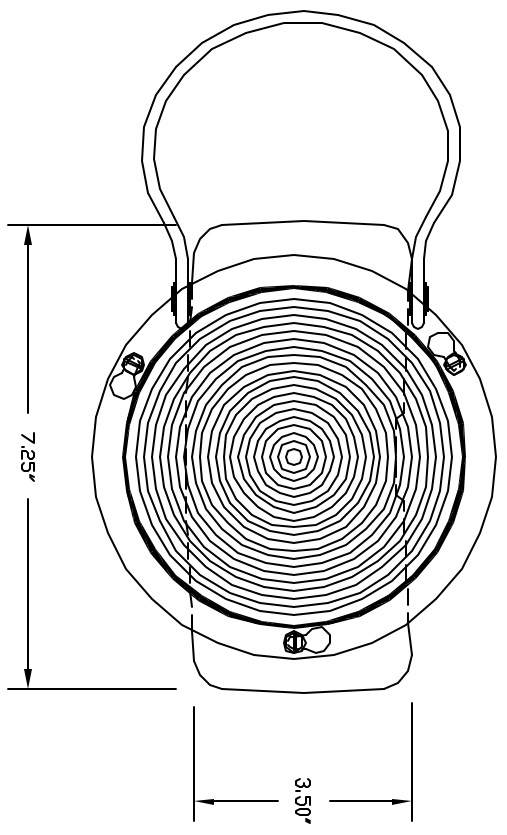


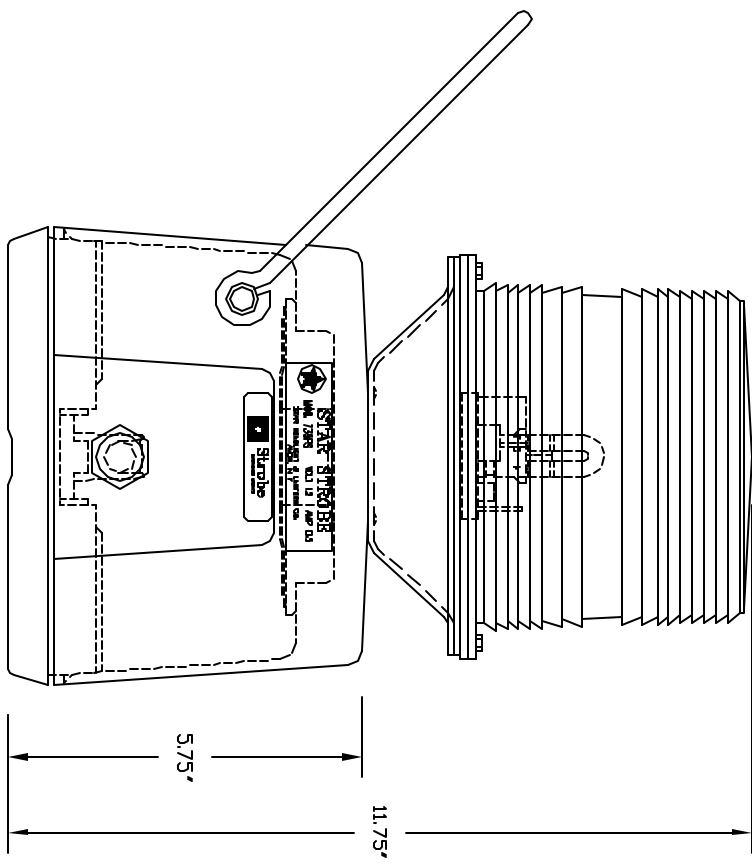
REV.	ECR	DESCRIPTION	DATE
-	755	INITIAL DRAWING REQUEST	09/10/96
A	8754	ADDED NEW DRAWING FORMAT & NOTES.	12/08/09

NOTES:

- ▲ 1) PACKING:
 MASTER CARTON P/N PCART400DMS (5 UNITS)
 16 x 22 POLY BAG P/N P30024-2
 BOX LABEL P/N PLABSTR



OPTIONAL RUBBER
 INSULATED HANDLE
 P/N P54-16



UNLESS OTHERWISE SPECIFIED: DIMENSIONS ARE IN INCHES		DRAWN BY: DPL	
TOLERANCES: ANGULAR: ± 2 DEG		DRAWING APPROVED BY ECR	
X ± .100	THE INFORMATION CONTAINED IN THIS DRAWING IS THE SOLE PROPERTY OF STAR HEADLIGHT & LANTERN CO., INC. ANY REPRODUCTION IN PART OR AS A WHOLE WITHOUT THE WRITTEN PERMISSION OF STAR HEADLIGHT & LANTERN CO., INC. IS STRICTLY PROHIBITED.		
XX ± .020			
XXX ± .005			
XXXX ± .001			
ROHS COMPLIANT: NA			
MATERIAL: NA			
FINISH: NA			
STAR HEADLIGHT & LANTERN CO., INC. 455 ROCHESTER ST. AVON NY 14414 Ph: (585)226-9500 Fax: (585) 226-2029		MODEL: 735PS (2-BV BATTERY, 12V DC)	
TITLE: MODEL DRAWING PORTABLE STROBE LIGHT		DWG. NO. 735PS	
SCALE: 1:1 DO NOT SCALE FROM DRAWING		REV A	
		SHEET 1 OF 1	