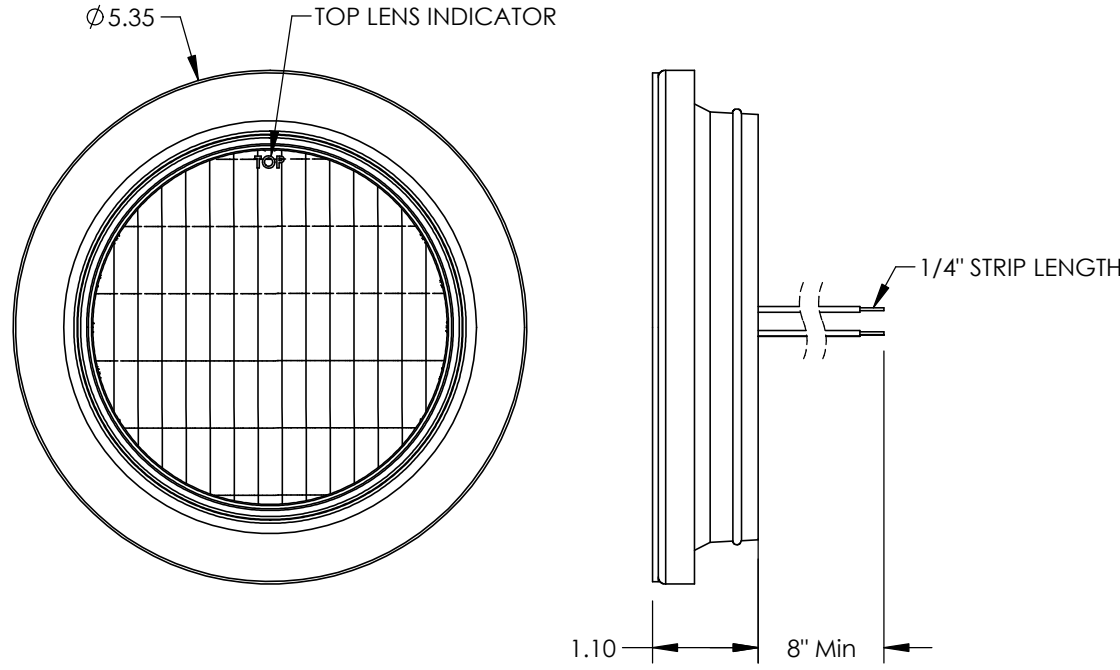
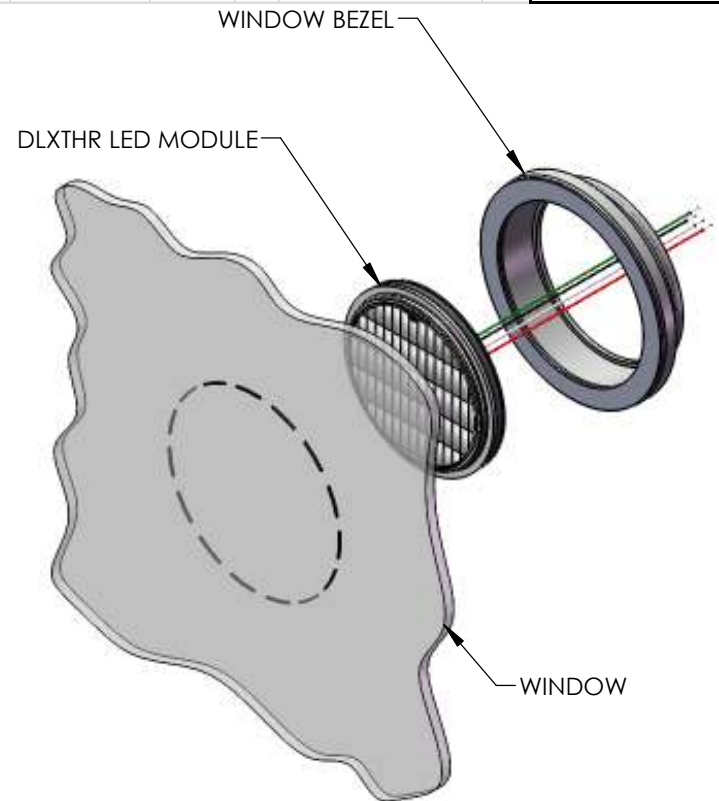


REV.	ECR	DESCRIPTION	DATE
-	11266	INITIAL DRAWING REQUEST	06/21/13



MODEL NUMBERS					
<b>DL</b>	<b>THR</b>	-	-	-	-
<b>LED Head</b>	<b>Pattern Type</b>	<b>Round</b>	-	<b>Mount Type</b>	<b>Color</b>
	X = Standard			7 = Window Bezel	A = Amber BC = Blue w/Clear Lens GC = Green w/Clear Lens RC = Red w/Clear Lens W = Cool White



**SPECIFICATIONS:**  
 Typical Input Voltage Range: 10-30 VDC @ .540 A MAX  
 Operating Temperature Range: -40°C to 55°C  
 Light Output: Steady Burn "C" Cool White of 268LM @ 25°C  
 Connections: 8"(min) Wires Exiting Unit  
 Permanent Mounting: Window Bezel

**MATERIALS:**  
 Module Lens: Polycarbonate  
 Module Housing: Polycarbonate  
 Lens Gasket: EPDM Foam  
 Grommet: PVC  
 Adhesive Tape: Acrylic

**CONNECTIONS:**  
 22 Gauge Red Wire: Positive VDC  
 22 Gauge Black Wire: Negative VDC  
 22 Gauge Green Wire: Pattern Select (Touch wire to ground and release)  
 22 Gauge Green / White Wire: Turn Signal Input (DLHTHU ONLY)  
 22 Gauge White Wire: Synchronization

CLASSIFIATIONS			
COLORS	DESCRIPTION	J845	TITLE 13
A	AMBER	CLASS 1	YES
BC	BLUE W/CLEAR LENS	CLASS 1	YES
GC	GREEN W/CLEAR LENS	-	-
RC	RED W/CLEAR LENS	CLASS 1	YES
W	COOL WHITE	CLASS 1	-

<b>UNLESS OTHERWISE SPECIFIED</b>	DRAWN BY: MB
DIMENSIONS ARE IN INCHES	<b>DRAWING APPROVED BY ECR</b>
TOLERANCES:	THE INFORMATION CONTAINED IN THIS DRAWING IS THE SOLE PROPERTY OF STAR HEADLIGHT & LANTERN CO., INC.. ANY REPRODUCTION IN PART OR AS A WHOLE WITHOUT THE WRITTEN PERMISSION OF STAR HEADLIGHT & LANTERN CO., INC. IS STRICTLY PROHIBITED.
ANGULAR: ± 2 DEG.	
.X ± .100	
.XX ± .020	
.XXX ± .005	
.XXXX ± .001	
RoHS COMPLIANT: Yes	
MATERIAL: N/A	
FINISH: N/A	

<b>STAR HEADLIGHT &amp; LANTERN CO., INC.</b>	
455 Rochester St. Avon NY 14414 Ph:(585) 226-9500 Fax: (585) 226-2029	
MODEL: DLXTHR-7-*	
TITLE: <b>4" ROUND LIGHT WITH WINDOW BEZEL</b>	
DWG. NO.	REV
DLXTHR-7	-
SCALE: 1:8	DO NOT SCALE FROM DRAWING
SHEET 1 OF 1	