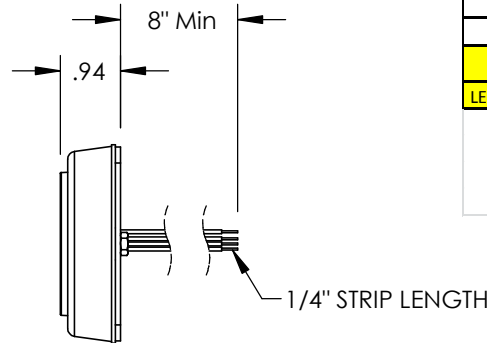
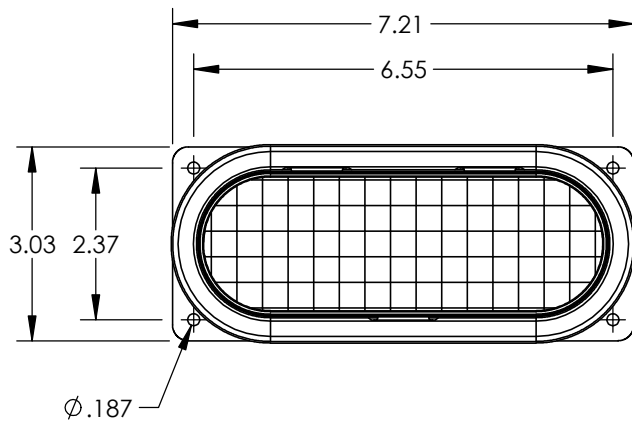


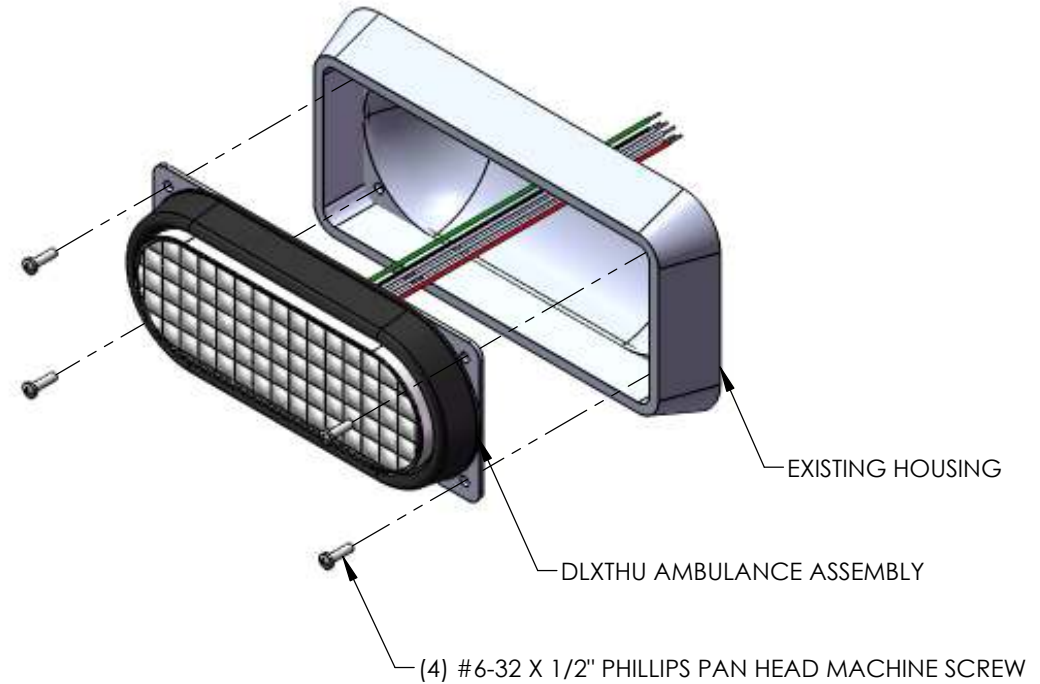
REV.	ECR	DESCRIPTION	DATE
-	11490	INITIAL DRAWING REQUEST	02/17/14

DLXTHU AMBULANCE ASSEMBLY



MODEL NUMBERS

DL	THU	Mount Type	Plating	Color	
LED Head	Pattern Type	Oval	9 = Ambulance Retrofit Kit	C = Chrome	A = Amber
	X = Standard				BC = Blue w/Clear Lens
					RC = Red w/Clear Lens
					W = Cool White



SPECIFICATIONS:

Typical Input Voltage Range: 10-30 VDC @ .540 A MAX
 Operating Temperature Range: -40°C to 55°C
 Light Output: Steady Burn "C" Cool White of 268LM @ 25°C
 Connections: Weatherproof Connector
 Permanent Mounting: Insert Plate

MATERIALS:

Module Lens: Polycarbonate
 Module Housing: Polycarbonate
 Bezel: Plated ABS Polycarbonate
 Lens Gasket: EPDM Foam
 Compression Gasket: EPDM Foam Rubber
 Mounting Gasket: EPDM Rubber
 Mounting Plate: Zinc Plated Cold Rolled Steel

CONNECTIONS:

22 Gauge Red Wire: Positive VDC
 22 Gauge Black Wire: Negative VDC
 22 Gauge Green Wire: Pattern Select (Touch wire to ground and release)
 22 Gauge White Wire: Synchronization

CLASSIFICATIONS

COLORS	DESCRIPTION	J845	TITLE 13
A	AMBER	CLASS 1	YES
BC	BLUE W/CLEAR LENS	CLASS 1	YES
RC	RED W/CLEAR LENS	CLASS 1	YES
W	COOL WHITE	CLASS 1	-

UNLESS OTHERWISE SPECIFIED
DIMENSIONS ARE IN INCHES
TOLERANCES:
ANGULAR: ± 2 DEG.
.X ± .100
.XX ± .020
.XXX ± .005
.XXXX ± .001
ROHS COMPLIANT: Yes

DRAWN BY: MB
DRAWING APPROVED BY ECR
THE INFORMATION CONTAINED IN THIS DRAWING IS THE SOLE PROPERTY OF STAR HEADLIGHT & LANTERN CO., INC.. ANY REPRODUCTION IN PART OR AS A WHOLE WITHOUT THE WRITTEN PERMISSION OF STAR HEADLIGHT & LANTERN CO., INC. IS STRICTLY PROHIBITED.

STAR HEADLIGHT & LANTERN CO., INC.
455 Rochester St. Avon NY 14414 Ph:(585) 226-9500 Fax: (585) 226-2029
MODEL: DLXTHU-9*
TITLE: 6" OVAL W/BEZEL AND INSERT

MATERIAL: N/A
FINISH: N/A

DWG. NO. DLXTHU-9	REV -
SCALE: 1:8	DO NOT SCALE FROM DRAWING
SHEET 1 OF 1	