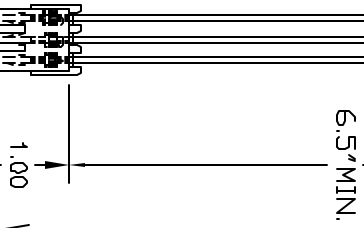
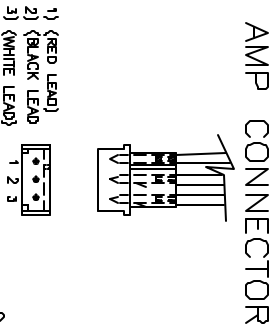
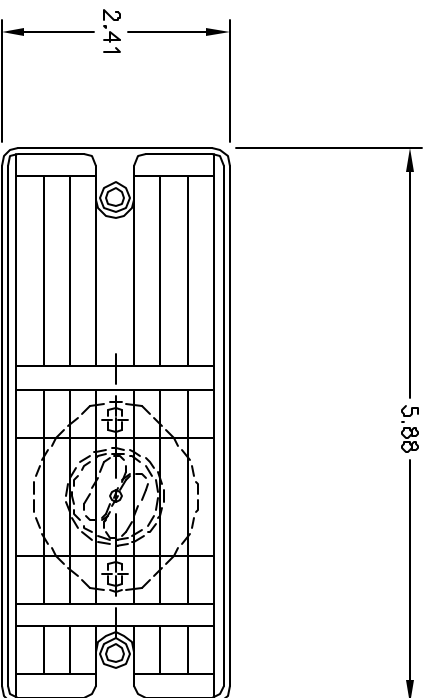
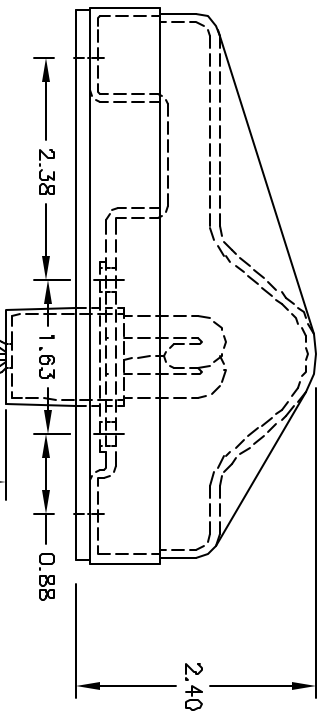
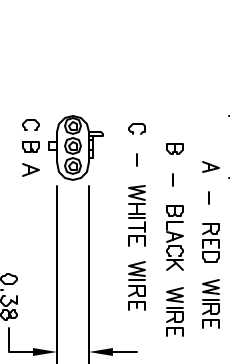


REV.	ECR	DESCRIPTION	DATE
-	532	INITIAL DRAWING REQUEST	03/27/96
A	4004	MODEL # UPDATE	03/15/01
B	8541	ADDED NEW DRAWING FORMAT, UPDATED DIMENSIONS AND VIEWS, ADDED AMP CONNECTOR	08/12/09



WEATHER PROOF CONNECTOR



UNLESS OTHERWISE SPECIFIED: DIMENSIONS ARE IN INCHES Dmit Tolerances ± 0.003		DRAWN BY: DPL	
Artwork and board size TOLERANCES: ANGULAR ± 2 DEG. XX ± .020 XXX ± .005 XXXX ± .001		THE INFORMATION CONTAINED IN THIS DRAWING IS THE SOLE PROPERTY OF STAR HEADLIGHT & LANTERN CO., INC. ANY REPRODUCTION IN PART OR AS A WHOLE WITHOUT THE WRITTEN PERMISSION OF STAR HEADLIGHT & LANTERN CO., INC. IS STRICTLY PROHIBITED.	
ROHS COMPLIANT: NA	MATERIAL: NA	STAR HEADLIGHT & LANTERN CO., INC. 455 ROCHESTER ST. AVON NY 14414 Ph: (585)226-9500 Fax: (585) 226-2029	
FINISH: NA	DWG. NO. SH3922	TITLE: SIDE/SURFACE MOUNT REMOTE STROBE HEAD MODEL DRAWING	
SCALE: 1:1	DO NOT SCALE FROM DRAWING	REV B	SHEET 1 OF 1