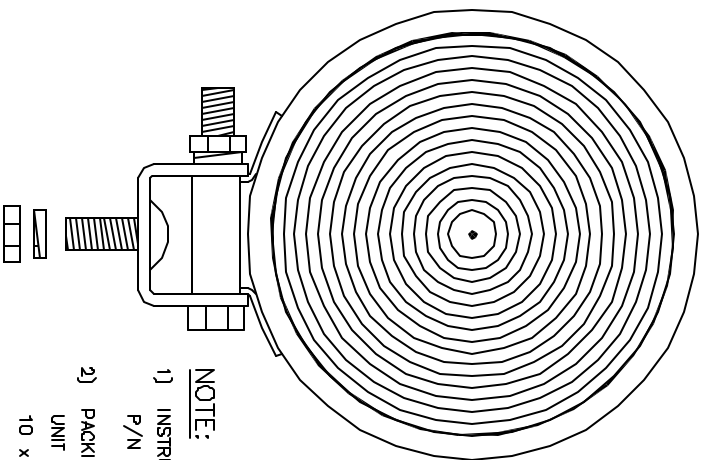
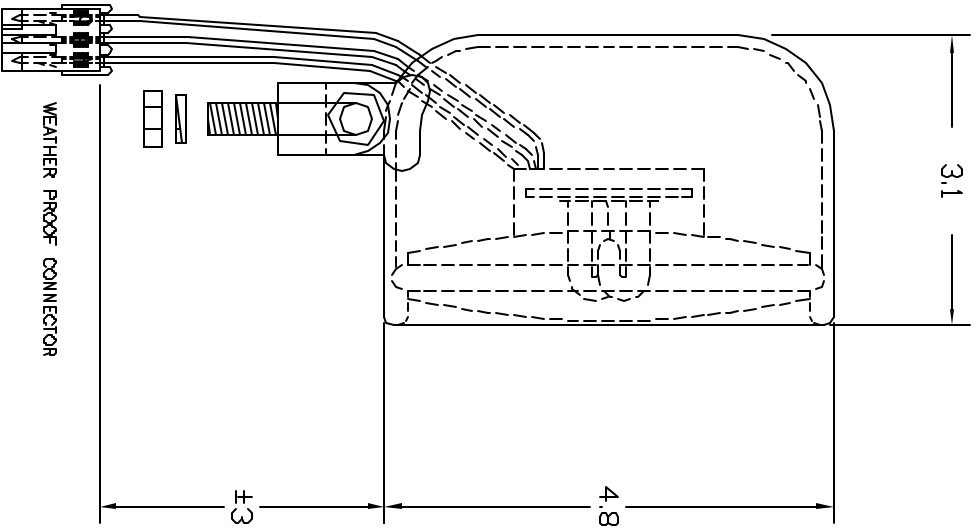


REV.	ECR	DESCRIPTION	DATE
-	186	INITIAL DRAWING REQUEST	03/28/95
A	3995	MODEL # UPDATE	03/13/01
B	8582	ADDED NEW DRAWING FORMAT, PCARTZFOLDU WAS PCART200ZUN, ADDED SCART200Z	09/03/09



- NOTE:**
- 1) INSTRUCTION SHEET
P/N PLTSTR897
 - 2) PACKING: SCART200Z
UNIT BOX P/N PCARTZFOLDU
10 x 12 POLY BAG P/N P30024-14
 - 3) BOX LABEL (BLANK FILL-IN)
P/N PLABSTR
FILL-IN: MODEL #, COLOR, & QUANTITY

UNLESS OTHERWISE SPECIFIED: DIMENSIONS ARE IN INCHES Dim Tolerances: ± 0.003		DRAWN BY: DPL	
ANK and board size TOLERANCES: ANGULAR: ± 2 DEG. XX ± .001 XXX ± .005 XXXX ± .001		THE INFORMATION CONTAINED IN THIS DRAWING IS THE SOLE PROPERTY OF STAR HEADLIGHT & LANTERN CO., INC. ANY REPRODUCTION IN PART OR AS A WHOLE WITHOUT THE WRITTEN PERMISSION OF STAR HEADLIGHT & LANTERN CO., INC. IS STRICTLY PROHIBITED.	
ROHS COMPLIANT: NA	MATERIAL: NA	STAR HEADLIGHT & LANTERN CO., INC. 455 ROCHESTER ST. AVON NY 14414 Ph: (585)226-9500 Fax: (585) 226-2029	
FINISH: NA	MODEL: SH3930-*	TITLE: MODEL DRAWING	
	DWG. NO. SH3930	PAR-36, ROUND RUBBER HOUSED STROBE HEAD	
	SCALE: 1:1	REV B	SHEET 1 OF 1