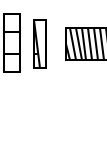
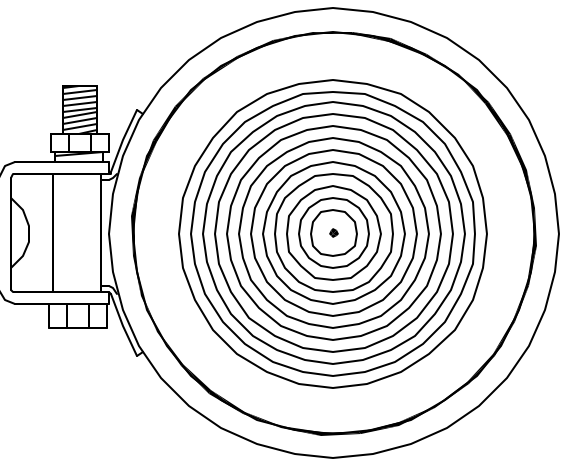
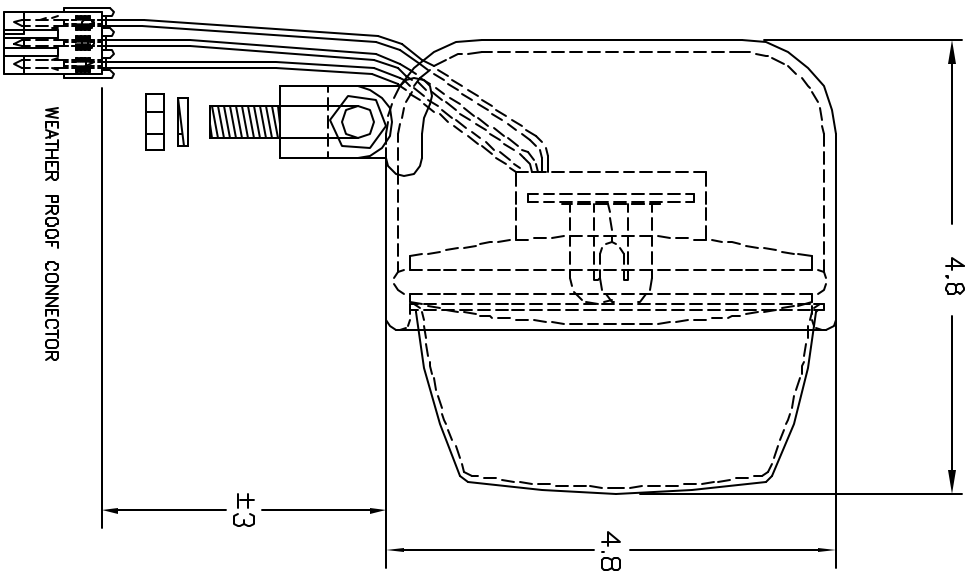


REV.	ECR	DESCRIPTION	DATE
-	3995	INITIAL DRAWING REQUEST	03/13/01
A	8582	ADDED NEW DRAWING FORMAT, PCARTZFOLDU WAS PCART200ZUN, ADDED SCART200Z	09/03/09



- NOTE:**
- 1) INSTRUCTION SHEET P/N PLTSTF87
 - 2) PACKING: SCART200Z UNIT BOX P/N PCARTZFOLDU 10 x 12 POLY BAG P/N P30024-14
 - 3) BOX LABEL (BLANK FILL-IN) P/N PLABSTR
- FILL-IN: MODEL #: COLOR: & QUANTITY

UNLESS OTHERWISE SPECIFIED:
DIMENSIONS ARE IN INCHES
Dmit Tolerances: ± 0.003

Artwork and board size TOLERANCES:
ANGULAR: ± 2 DEG.
XX ± .020
XXX ± .005
XXXX ± .001

ROHS COMPLIANT: NA

DRAWN BY: DPL
DRAWING APPROVED BY ECR

THE INFORMATION CONTAINED IN THIS DRAWING IS THE SOLE PROPERTY OF STAR HEADLIGHT & LANTERN CO., INC. ANY REPRODUCTION IN PART OR AS A WHOLE WITHOUT THE WRITTEN PERMISSION OF STAR HEADLIGHT & LANTERN CO., INC. IS STRICTLY PROHIBITED.

STAR HEADLIGHT & LANTERN CO., INC.
455 ROCHESTER ST. AVON NY 14414
Ph: (585)226-9500 Fax: (585) 226-2029

MODEL: SH3930E-*

TITLE: MODEL DRAWING
PAR-36, ROUND RUBBER HOUSED STROBE HEAD

MATERIAL: NA
FINISH: NA

DWG. NO. SH3930E
SCALE: 1:1 DO NOT SCALE FROM DRAWING SHEET 1 OF 1

REV A