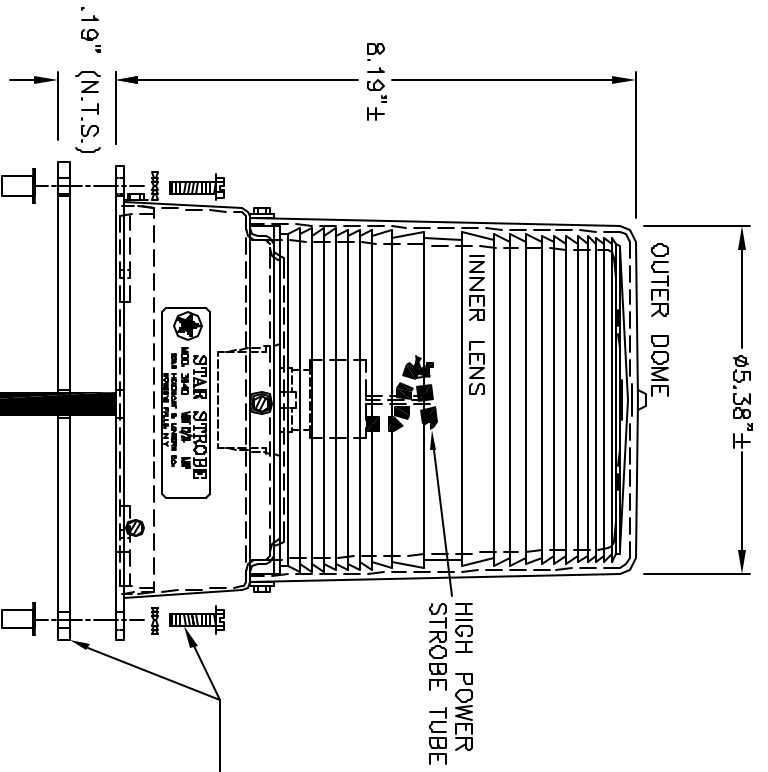
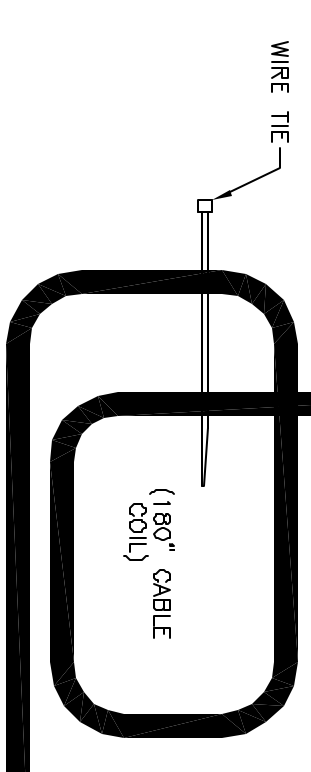
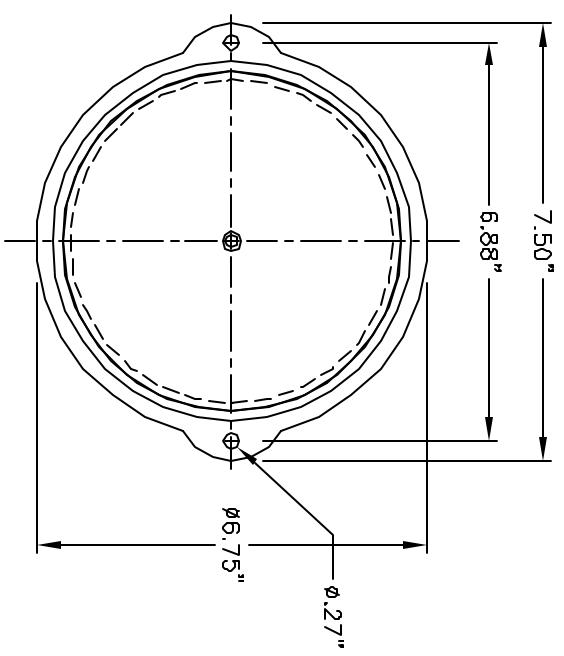


REV.	ECR	DESCRIPTION	DATE
A	143	INITIAL DRAWING REQUEST	09/27/94
B	2022	DRAWING UPDATE	04/18/98
C	3995	MODEL # UPDATE	03/13/01
D	8582	ADDED NEW DRAWING FORMAT. PCART200CS WAS PCART200UNI, PLUSTR9 WAS PLINWARRANTY. P30024-12 WAS P421	09/03/09



MOUNTING HARDWARE KIT
(IN POLY BAG) &
MOUNTING PAD GASKET:



180" HEAVY DUTY CABLE ASSEMBLY

- PACKING:**
- 1) WARRANTY SHEET P/N PLTSTR79
 - 2) 12 x 16 POLY BAG P/N P30024-12
 - 3) UNIT BOX P/N PCART200UNIT
UNIT BOX INSERT P/N PCART200CS
 - 4) BOX LABEL BLANK P/N PLABSTR

UNLESS OTHERWISE SPECIFIED: DIMENSIONS ARE IN INCHES Dim Tolerances: $\pm .0003$		DRAWN BY: DPL	
Network and board size TOLERANCES: ANGULAR: ± 2 DEG. XX $\pm .020$ XXX $\pm .005$ XXXX $\pm .001$		THE INFORMATION CONTAINED IN THIS DRAWING IS THE SOLE PROPERTY OF STAR HEADLIGHT & LANTERN CO., INC. ANY REPRODUCTION IN PART OR AS A WHOLE WITHOUT THE WRITTEN PERMISSION OF STAR HEADLIGHT & LANTERN CO., INC. IS STRICTLY PROHIBITED.	
ROHS COMPLIANT: NA	MATERIAL: NA	DWG. NO. SH3940	REV D
FINISH: NA		SCALE: 1:1	SHEET 1 OF 1
STAR HEADLIGHT & LANTERN CO., INC. 455 ROCHESTER ST. AVON NY 14414 Ph: (585)226-9500 Fax: (585) 226-2029		MODEL: SH3940-*(180" CABLE STD.) MODEL DRAWING 360" REMOTE STROBE HEAD	