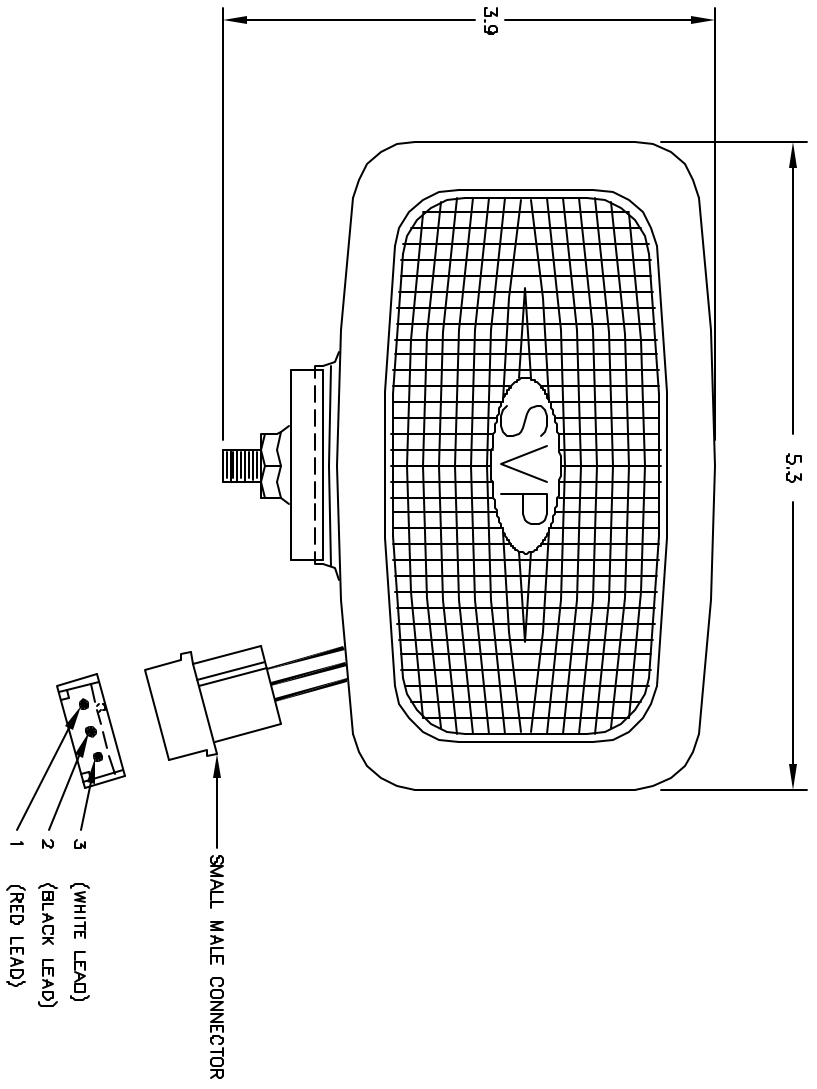


REV.	ECR	DESCRIPTION	DATE
-	3995	INITIAL DRAWING REQUEST	03/13/01
A	8582	ADDED NEW DRAWING FORMAT, PCARTZFOLDU WAS PCARTI3920. ADDED PLUTSTR87	09/03/09



- NOTES: PACKING:**
- 1) POLY BAG: P30024-14
 - 2) BOX: PCARTEDWLEDU
 - 3) BOX LABEL: PLABSTR
 - 4) INSTRUCTION SHEET: PLUTSTR87

UNLESS OTHERWISE SPECIFIED: DIMENSIONS ARE IN INCHES Dmit Tolerances ± 0.003		DRAWN BY: DPL	
Artwork and board size TOLERANCES: ANGULAR: ± 2 DEG. XX ± .001 XX ± .005 XXX ± .001		THE INFORMATION CONTAINED IN THIS DRAWING IS THE SOLE PROPERTY OF STAR HEADLIGHT & LANTERN CO., INC. ANY REPRODUCTION IN PART OR AS A WHOLE WITHOUT THE WRITTEN PERMISSION OF STAR HEADLIGHT & LANTERN CO., INC. IS STRICTLY PROHIBITED.	
ROHS COMPLIANT: NA	MATERIAL: NA	STAR HEADLIGHT & LANTERN CO., INC. 455 ROCHESTER ST. AVON NY 14414 Ph: (585)226-9500 Fax: (585) 226-2029	
FINISH: NA	MODEL: SH4500-*	TITLE: MODEL DRAWING MINI RECTANGULAR STROBE HEAD	
	DWG. NO. SH4500	REV A	
	SCALE: 1:1	DO NOT SCALE FROM DRAWING SHEET 1 OF 1	