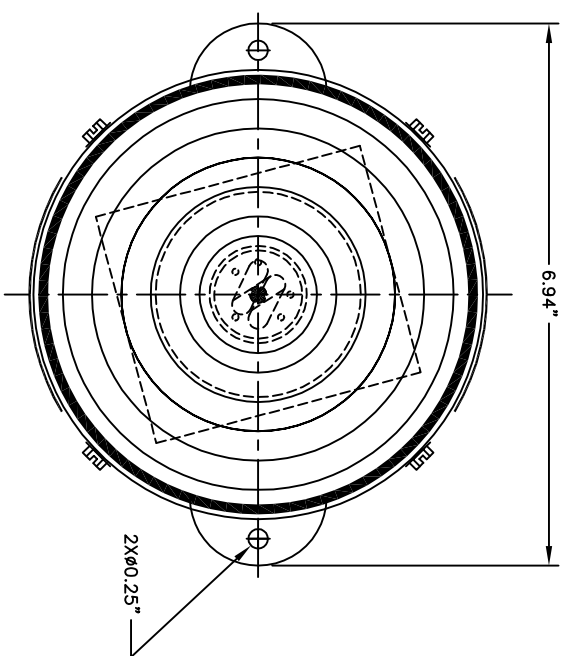


REV.	ECR	DESCRIPTION	DATE
-	143	INITIAL DRAWING REQUEST	09/27/94
A	8628	ADDED NEW DRAWING FORMAT, & NOTES	09/23/09
B	9353	UPDATED VIEW TO S/D/Q CIRCUIT	10/14/10
C	11845	ADDED SPECIFICATIONS, MOUNT PARTS, WIRE FUNCTION NOTE & SAE	03/26/14



**NOTE:**

- 1) INSTRUCTION SHEET P/N PLTR43
- 2) PACKING INCLUDES: SCART2405  
(1) UNIT BOX P/N PCART4000 UN  
(1) UNIT BOX INSERT P/N PCART240INS  
(1) 12 x 16POLY BAG P/N P30024-12
- 3) BOX LABEL BLANK P/N PLAB64
- 4) LENS COLORS: AMBER, BLUE, CLEAR, RED
- 5) \* = A, B, C, R (SAE J578)

**SPECIFICATIONS**

Typical Input Voltage Range: 10-30 VDC  
 Typical Current Draw: 2.0 A @ 12VDC  
 Approval: S/D SAE J1318 Class 2 Amber, Blue, Clear, Red  
 Quad SAE J1318 Class 1 Blue, SAE J1318 Class 2 Amber, Clear, Red.  
 Flash Rate: S/D/Q 100fpm/65dfpm/75qfpm respectively  
 Output Power: S/D/Q 24W/18.7W/24W respectively  
 Connections: 18"Min. wires exiting the unit.  
 Permanent Mounting: 2 Hole 6.25" center  
 Dimensions: (Short Dome): 4.25" tall x 5.50".  
 Individual Shipping weight: 2.0 lbs.

UNLESS OTHERWISE SPECIFIED: DIMENSIONS ARE IN INCHES Drill Tolerances: ± 0.003 Angular: ± 2 DEG. X ± .100 XX ± .020 XXX ± .005 XXXX ± .001		DRAWN BY: DPL	
ROHS COMPLIANT: NA		DRAWING APPROVED BY ECR	
MATERIAL: NA		THE INFORMATION CONTAINED IN THIS DRAWING IS THE SOLE PROPERTY OF STAR HEADLIGHT & LANTERN CO., INC. ANY REPRODUCTION IN PART OR AS A WHOLE WITHOUT THE WRITTEN PERMISSION OF STAR HEADLIGHT & LANTERN CO., INC. IS STRICTLY PROHIBITED.	
FINISH: NA		MODEL: 240SF-12V-* (12/24VDC, 2.0 AMP)	
TITLE: MODEL DRAWING S/D/Q FLASH STROBE		DWG. NO. 240SF	
SCALE: 1:1 DO NOT SCALE FROM DRAWING		REV C	
STAR HEADLIGHT & LANTERN CO., INC. 455 ROCHESTER ST. AVON NY 14414 Ph: (585)226-9500 Fax: (585) 226-2029		SHEET 1 OF 1	