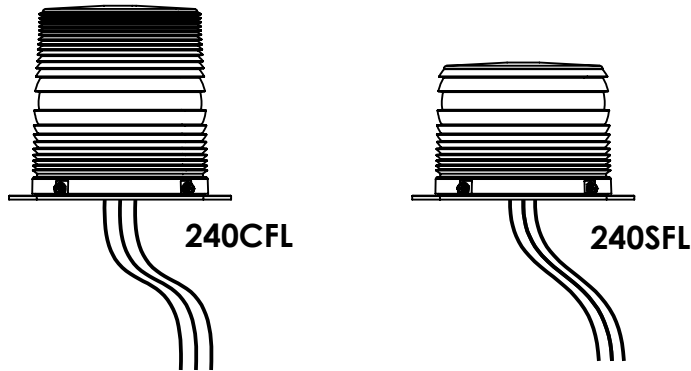


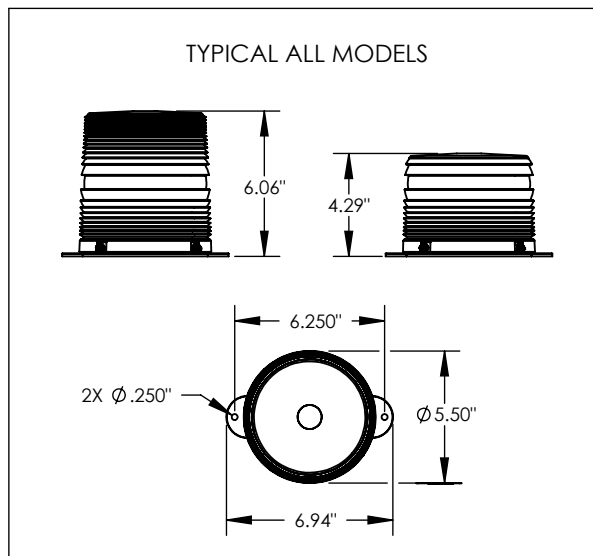
REV.	ECR	DESCRIPTION	DATE
-	12178	INITIAL DRAWING REQUEST	8/21/14
A	12428	ADDED 12V ONLY MODEL INFORMATION	01/07/15
B	13713	UPDATED CHARTS, REMOVED 240CFL1 AND 240SFL1 MODELS, ADDED 240CFL-12V-A AND 240SFL-12V-A. REMOVED 1/2-14 NPT NOTE. MODEL 240CFL-12V WAS 240CFL1, 240SFL-12V WAS 240SFL1	7/22/2016
C	15248	REMOVED 12V ONLY MODELS. UPDATED WIRE LENGTH AND VOLTAGE RANGE	5/16/2018
D	18067	ADDED COLUMN TO TABLE FOR CLASSIFICATION	6/28/2021



9-32VDC MODELS AVAILABLE		
MODEL	DESCRIPTION	CLASSIFICATION
240CFL-A	240 C-2 LED TALL DOME BEACON - AMBER	SAE J845 CLASS II
240CFL-B	240 C-2 LED TALL DOME BEACON - BLUE	NOT TESTED
240CFL-C	240 C-2 LED TALL DOME BEACON - CLEAR	SAE J845 CLASS II
240SFL-A	240 C-2 LED SHORT DOME BEACON - AMBER	SAE J845 CLASS II
240SFL-C	240 C-2 LED SHORT DOME BEACON - CLEAR	SAE J845 CLASS II

-- PRODUCT INFORMATION --

- ELECTRICAL
 - VOLTAGE: 9 - 32VDC
 - AMP DRAW: AVG. 0.4A
 - REQUIRES 5 AMP FUSE
 - 3-WIRE CONNECTION
 - BLACK - NEG. GROUND
 - RED - + POWER
 - GREEN - PATTERN SELECT
 - WIRE - 18 AWG 18" LONG
 - 28 FLASH PATTERNS
- CLASSIFICATIONS
 - MEETS OR EXCEEDS ALL MECHANICAL AND PHOTOMETRIC REQUIREMENTS OF SAE J845 CLASS II
- MECHANICAL:
 - BASE: POWDER COATED ALUMINUM CASTING
 - DOME: POLYCARBONATE
 - MOUNTING: SURFACE OR POLE
 - GASKET and MOUNTING HARWARE INCLUDED
- ENVIRONMENTAL
 - TEMPERATURE RANGE: -25°F TO 125°F



UNLESS OTHERWISE SPECIFIED DIMENSIONS ARE IN INCHES TOLERANCES: ANGULAR: ± 2 DEG. .X ± .100 .XX ± .020 .XXX ± .005 .XXXX ± .001	DRAWN BY: SWN	STAR HEADLIGHT & LANTERN CO., INC. 455 Rochester St. Avon NY 14414 Ph:(585) 226-9500 Fax: (585) 226-2029	
	DRAWING APPROVED BY ECR		
RoHS COMPLIANT: Yes	THE INFORMATION CONTAINED IN THIS DRAWING IS THE SOLE PROPERTY OF STAR HEADLIGHT & LANTERN CO., INC.. ANY REPRODUCTION IN PART OR AS A WHOLE WITHOUT THE WRITTEN PERMISSION OF STAR HEADLIGHT & LANTERN CO., INC. IS STRICTLY PROHIBITED.		MODEL: 240CFL, 240SFL
MATERIAL: N/A			TITLE: 240 SERIES CLASS 2 MODEL DRAWING
FINISH: N/A	DWG. NO. 240 C-2		REV D
	SCALE: 1:8	DO NOT SCALE FROM DRAWING	SHEET 1 OF 1