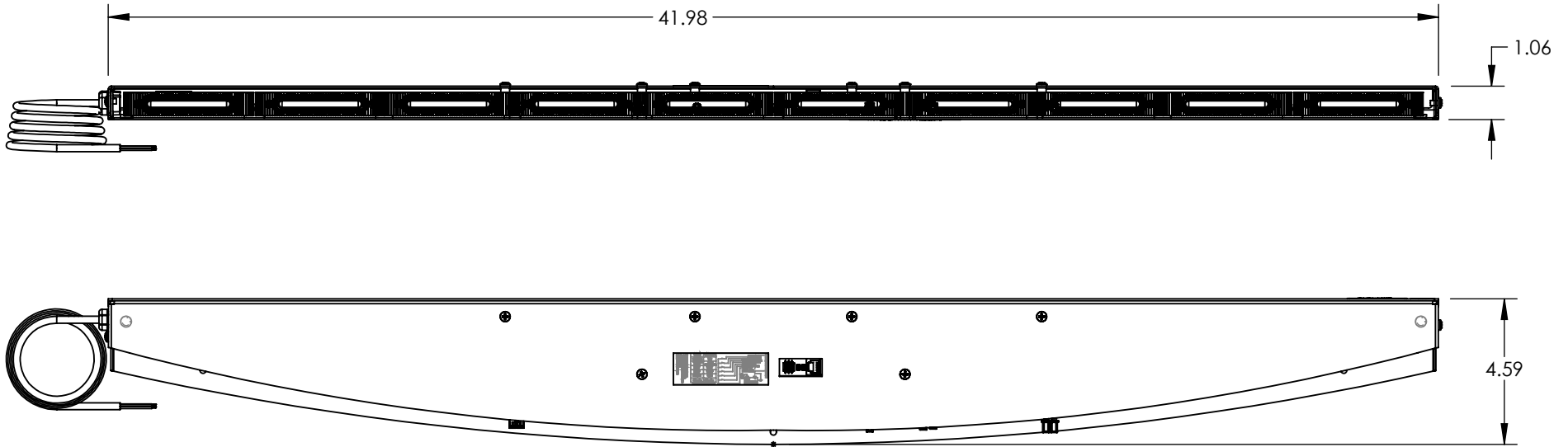


REV.	ECR	DESCRIPTION	DATE
-	14063	INITIAL DRAWING REQUEST	12/13/2016



CABLE WIRE FUNCTIONS		
COLOR	FUNCTION	WIRE GAGE
WHITE W/BROWN	PURSUIT (FLASHING WHITE LIGHTS) OR TD WARNING	22
ORANGE W/GREEN	LEVEL 1 FLASHING WARNING LIGHTS	22
ORANGE W/RED	LEVEL 2 FLASHING WARNING LIGHTS	22
YELLOW	CALIFRONIA TITLE 13 LIGHTS (STEADY RED) OR TD RIGHT	22
GREEN W/RED	PATTERN SELECT OR DIM	22
RED	IGNITION SWITCH +12VDC	16
BLACK	NEUTRAL (GROUND)	16
BARE	DRAIN/SHIELD	22

PRODUCT SPECIFICATIONS:

- VOLTAGE: 10-16 vdc ALL MODELS
- AMP DRAW: 13.1A max. 6.6A avg.
- OPERATING TEMPERATURE RANGE: -30 TO 50C
- CONNECTIONS: 8-WIRE, 14FT CABLE

MECHANICAL:

- ALUMINUM HOUSING
- POLYCARBONATE LENS

MOUNTING:

- METAL BRACKETS

APPROVALS:

- TITLE 13 (WHEN PROPERLY CONFIGURED)
- SAE CLASS 1 (WHEN PROPERLY CONFIGURED)

UNLESS OTHERWISE SPECIFIED DIMENSIONS ARE IN INCHES TOLERANCES: ANGULAR: ± 2 DEG. .X ± .100 .XX ± .020 .XXX ± .005 .XXXX ± .001	DRAWN BY: EP	STAR HEADLIGHT & LANTERN CO., INC. 455 Rochester St. Avon NY 14414 Ph:(585) 226-9500 Fax: (585) 226-2029 MODEL: ULB48-TD-001 TITLE: DUAL COLOR PHANTOM TRAFFIC DIRECTOR
	DRAWING APPROVED BY ECR	
RoHS COMPLIANT: Yes	THE INFORMATION CONTAINED IN THIS DRAWING IS THE SOLE PROPERTY OF STAR HEADLIGHT & LANTERN CO., INC.. ANY REPRODUCTION IN PART OR AS A WHOLE WITHOUT THE WRITTEN PERMISSION OF STAR HEADLIGHT & LANTERN CO., INC. IS STRICTLY PROHIBITED.	
MATERIAL: N/A	DWG. NO. ULB48-TD-001	REV -
FINISH: N/A	SCALE: 1:12	DO NOT SCALE FROM DRAWING SHEET 1 OF 1