

LDH Series LED Heads



361 Series
(Sealed Beam Design)



362 Series
(Swivel Mount)



363 Series
(Tractor Mount with Rubber Housing)



364 Series
(Grommet Mount)

LDH Series
(Steady Burn)

LDHF Series
(Flashing)

- E : ECE Optics**
- S : Spot Optics**
- SE : Spot Optics with Extended Lens**
- T : Trapezoidal Optics**

Patent No.: US D693,035 S

LED FIVE YEAR LIMITED WARRANTY

The manufacturer warrants this LED light against factory defects in material and workmanship for five years after the date of purchase. The owner will be responsible for returning to the Service Center any defective item(s) with the transportation costs prepaid. The manufacturer will, without charge, repair or replace *at its option*, products, or part(s), which its inspection determines to be defective. Repaired or replacement item(s) will be returned to the purchaser with transportation costs prepaid from the service point. A copy of the purchaser's receipt must be returned with the defective item(s) in order to qualify for the warranty coverage. Exclusions from this warranty include, but are not limited to, domes, and/or the finish. This warranty shall not apply to any light, which has been altered, such that in the manufacturer's judgment, the performance or reliability has been affected, or if any damage has resulted from abnormal use or service.

There are no warranties expressed or implied (including any warranty of merchantability or fitness), which extend this warranty period. **The loss of use of the product, loss of time, inconvenience, commercial loss or consequential damages, including costs of any labor, are not covered.** The manufacturer reserves the right to change the design of the product without assuming any obligation to modify any product previously manufactured.

This warranty gives you specific legal rights. You might also have additional rights that may vary from state to state. Some states do not allow limitations on how long an implied warranty lasts. Some states do not allow the exclusion or limitation of incidental or consequential damages. Therefore, the above limitation(s) or exclusion(s) may not apply to you.

If you have any questions concerning this or any other product, please contact our **Customer Service Department** at (585) 226-9787.

If a product must be returned for any reason, please contact our Customer Service Department to obtain a Returned Materials Authorization number (RMA #) before you ship the product back. Please write the RMA # clearly on the package near the mailing label.



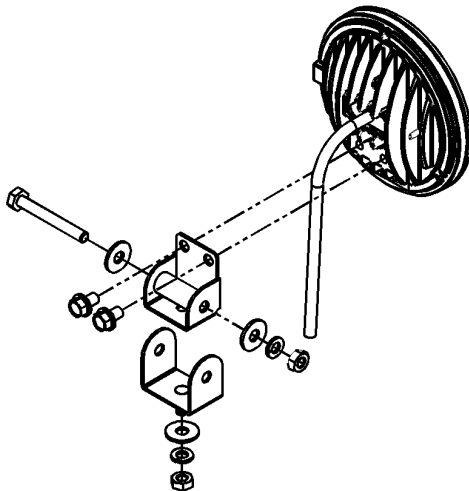
Star Headlight & Lantern Co., Inc.

455 Rochester Street Avon, NY 14414 Phone: 585-226-9787 FAX: 888-478-2797



www.starheadlight.com

362 Series Assembly



364 Series Mounting



These are designed to fit into a standard 4½" mounting hole that is common to most commercial vehicles.

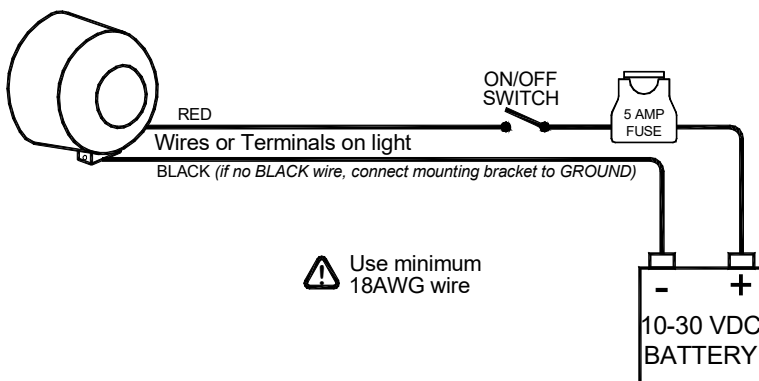
1. Insert the rubber grommet into the mounting hole.
2. Snap the light into the grommet taking care to ensure the text "TOP" is located at the top.

LDH Series Wiring

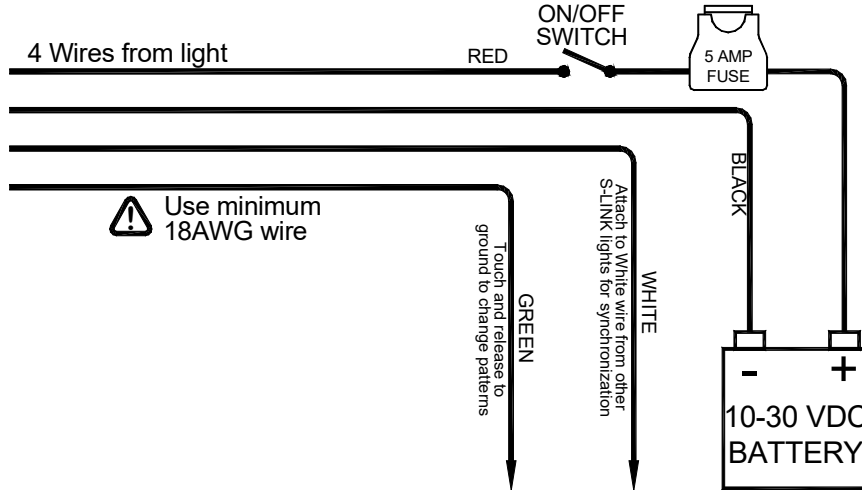
For the steady burn or worklight versions, connect the wires, terminals, or lugs as follows:

Black: (Ground) – Connect the black wire to the negative side of your battery.

Red: (Power) – Connect the red wire or terminal to your switch supplying +10-30VDC.



LDHF Series Wiring



Pattern Programming (LDHF Series only)

The **Green wire** is used to program the desired flash pattern. After the Black and Red wires are connected, touch the green wire to ground for approximately 1 second and release it to cycle through Patterns 1-32 shown on the following page. After Pattern 32, the light will cycle back to Pattern 1.

PLEASE NOTE:
 The pattern cycle **does NOT** include the **Steady Burn mode**. To access the **Steady Burn pattern**, review the **Programming Shortcuts** below.

Phase 1 Flash Pattern #	Phase 2 Flash Pattern #	Pattern Type	S-LINK SYSTEM Pattern Description	CPS	Shortcut
1	21	K	Flicker †	1.0	← Pattern 1 (Phase 1): 3 sec or 1 flash
2	22	L	Fast Doubleflash	3.3	
3	23	M	Tripleflash	2.5	
4	24	N	PSU Flicker	0.7	
5	25	A18	ECE Doubleflash HP *		← Pattern 5 (Phase 1): 6 Sec or 2 flash
6	26	A19	ECE Quadflash HP *		
7	27	A18	ECE Doubleflash LP *		
8	28	A19	ECE Quadflash LP *		← Pattern 25 (Phase 2): 12 sec or 4 flashes
9	29	O	PSU Random	0.6	
10	30	F	Quadflash †	1.0	
11	31	G	Quadflash w/Post-Pop †	1.0	
12	32	H	Singleflash †	1.0	
13	33	I	Doubleflash †	1.0	
14	34	J	Variable AKA Delta-Omega	0.3	
15	35	C	Fast Quadflash w/Post-Pop	1.4	
16	36	E	Random	0.4	
17	37	A9	Pre-Pop Quintflash	1.4	
18	38	A10	Quadflash Inverted Long On	0.31	
19	39	A11	Quadflash Inverted	1.4	
20	40	Non-Sync	Random 57K Type A	N/A	
NA	NA	NA	Steady	NA	15/18Sec

Pattern Shortcuts: Hold Green wire to ground for indicated time.

† **Approved patterns for SAE J595 and California Title 13**


* **ECE approved patterns (when properly configured)**

Steady Burn: Not in pattern cycle. Only accessible through shortcut. Hold Green wire to ground for 15-18 seconds (light will flash 6 times).

Note: Pattern Type letters are common to all S-LINK SYSTEM products. Any lights programmed for the same Pattern Type letter can be synchronized together.

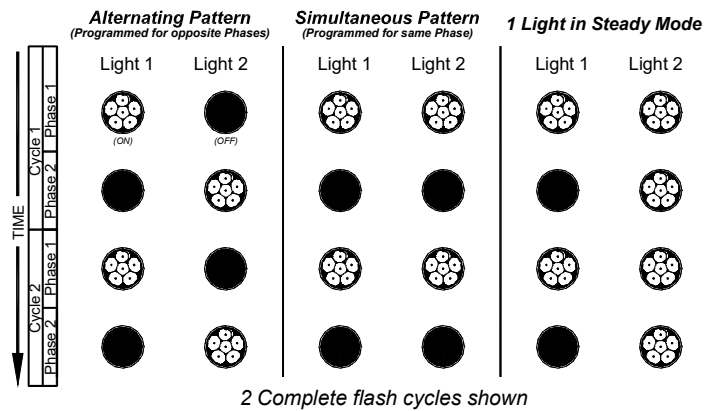
Synchronization of Multiple LDHF Lights

SYNCHRONIZATION

You can synchronize up to six lights with  compatibility.

DO NOT CONNECT WHITE WIRES UNTIL PROGRAMMING HAS BEEN COMPLETED FOR ALL LIGHTS!!

1. Power up the first unit and select a Phase 1 pattern. Touch and release the green wire to ground to change patterns.
2. Program the second light with the same **Pattern Type**.
 - Lights with the SAME phase flash together (simultaneous).
 - Lights with DIFFERENT phases flash opposite one another (alternate).
3. After programming all lights, tie off the green wires and connect the white wires together.
4. Test lights by applying power to all of them at the same time.



Please Note: These instructions are provided as a general guideline only. **Some vehicles may require special mounting, wiring, and/or weather-sealing. This is the sole responsibility of the installer.** Star Headlight & Lantern Co., Inc. assumes no responsibility for the integrity of the installation for this or any of its products.

NOTICE

Due to continuous product improvements, we must reserve the right to change any specifications and information, contained in this manual at any time without notice. Star Headlight & Lantern Co., Inc. makes no warranty of any kind with regard to this manual, including, but not limited to, the implied warranties of merchantability and fitness for a particular purpose. Star Headlight & Lantern Co., Inc. shall not be liable for errors contained herein or for incidental or consequential damages in connection with the furnishing, performance, or use of this manual.