

DL3922 Series

In-Line Flasher with Remote Aerodynamic Surface/Side Mount LED Head

**S-LINK
SYSTEM**



IMPORTANT: *Please read all of the following instructions before installing your new light. Failure to follow these safety precautions may result in damage to your light or vehicle and may result in serious injury or death to you and your passengers.*

WARNING: This device may be regulated by Federal, State, and/or Local ordinances. These devices may be used **ONLY** on approved vehicles. It is the sole responsibility of the user to ensure compliance.



This light utilizes high-intensity LED Lamps. **DO NOT** stare directly into the light while it is on, as momentary blindness and/or permanent eye damage may occur.

Please Note: These instructions are provided as a general guideline only. *Some vehicles may require special mounting, wiring, and/or weather-sealing. This is the sole responsibility of the installer.* Star Headlight & Lantern Co., Inc. assumes no responsibility for the integrity of the installation for this or any of its products.



Star Headlight & Lantern Co., Inc.

455 Rochester Street Avon, NY 14414 Phone: 585-226-9787 FAX: 888-478-2797

**STAR
WARNING
SYSTEMS**

**STAR
SIGNAL**
VEHICLE PRODUCTS

BRADFORD
Vehicle Solutions

www.starheadlight.com

PLIT561 REV. - 3/13/17

Installation

- The installer must have a firm knowledge of basic electricity, vehicle electrical systems, and emergency equipment.
- If you need to drill any holes when installing this product, please take care to check that BOTH SIDES of your drilling surface are clear from obstructions, to ensure that you do not damage your vehicle and or pre-existing wiring.
- Controls should be placed within convenient reach of the driver.

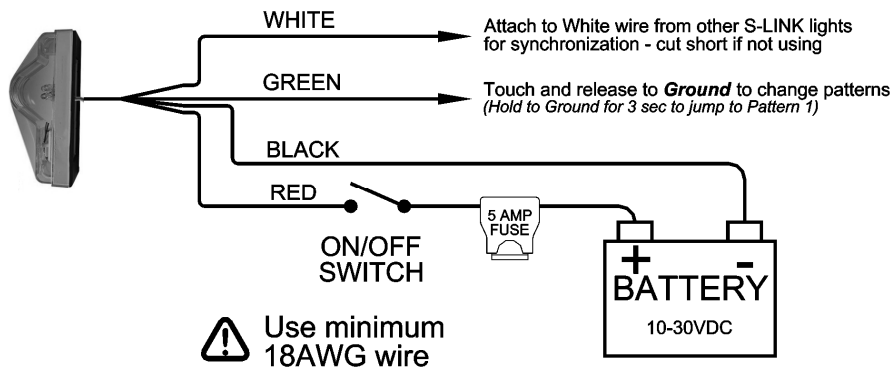
Before beginning the installation:

- Determine where the heads are to be mounted.
- Determine where you will mount the switch.
- Determine if you will be synchronizing your flasher with any other flashers or other synchronizable products.
- Verify that you have a clear path to run your wires between the heads, flasher unit(s), switch, and any other lights that the flasher will be synchronized with.

Optional Cables:

SWH-L4	4' Extension Cable for Detachable LED Heads
SWH-L8	8' Extension Cable for Detachable LED Heads
SWH-L15	15' Extension Cable for Detachable LED Heads
SWH-L20	20' Extension Cable for Detachable LED Heads
SWH-L25	25' Extension Cable for Detachable LED Heads
SWH-L30	30' Extension Cable for Detachable LED Heads
SWH-L35	35' Extension Cable for Detachable LED Heads

1. Establish a location for each in-line flasher unit that is close enough to the location where the LED head will be mounted. The location should have limited exposure to the environment (e.g. trunk, engine compartment, cab, etc.). Use the two tie wraps enclosed to mount the unit, **taking care not to bend the flasher.**
2. Determine a path for the cable from the flasher, keeping in mind that you will have to connect the wires from units that are synchronized with one another.
3. Drill a 5/8" hole in your mounting surface to mount the wire harness through. Take into account the exact position that you wish to mount the head when selecting the location of the hole.
4. Route the harness through the hole and mount the light using suitable fasteners for your application.



Wiring



When wiring your LED Kit(s) (and compatible) lights, YOU MUST take the following precautions to eliminate Electromagnetic Interference (EMI).



- The LED modules and the radio (or other sources of EMI) should be kept as far away from each other as possible.
- Separate the radio wires and the LED wires:
 - ▲ The radio antenna wire should make a right angle from the back of the radio and run down one side of the vehicle.
 - ▲ The LED wires should make a right angle out of the back of the switchbox and exit in the opposite direction of the antenna wire and/or radio power wires.
- Any excess wires should be cut short.
- The Ground wire, Power wire, Synchronization wire, and High/Low wire (if used) should be bound tightly together as they run from light to light, through your switchbox, and finally to the battery.
- Do not ground each unit independently to the chassis. Run the ground for each unit as shown below in a "bus" like structure, to the negative terminal on the battery.

SYNCHRONIZATION

You can synchronize up to six lights with **SPUNK SYSTEM** compatibility.

DO NOT CONNECT WHITE WIRES UNTIL PROGRAMMING HAS BEEN COMPLETED FOR ALL LIGHTS!!

1. Power up the first unit and select a Phase 1 pattern. Touch and release the green wire to ground to change patterns.

2. Program the second light with the same **Pattern Type**.

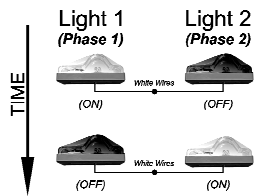
Lights with the SAME phase flash together (simultaneous).

Lights with DIFFERENT phases flash opposite one another (alternate).

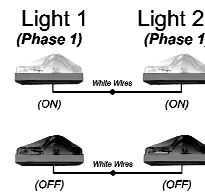
3. After programming all lights, tie off the green wires and connect the white wires together.

4. Test lights by applying power to all of them at the same time.

Alternating Pattern (Programmed for opposite Phases)



Simultaneous Pattern (Programmed for same Phase)



Phase 1 Flash Pattern	Phase 2 Flash Pattern	Pattern Type	SPUNK SYSTEM Pattern Description	Shortcut
1	13	K	Flicker	← Pattern 1 (Phase 1): 3 sec or 1 flash
2	14	L	Fast Doubleflash	
3	15	M	Tripleflash	
4	16	N	PSU Flicker (default)	← Pattern 13 (Phase 2): 9 sec or 3 flashes
5	17	O	PSU Random	
6	18	F	Quadflash	← Pattern 6 (Phase 1): 6 Sec or 2 flash
7	19	G	Quadflash w/Post-Pop	
8	20	H	Singleflash	
9	21	I	Doubleflash	← Pattern 18 (Phase 2): 12 sec or 4 flashes
10	22	J	Variable AKA Delta-Omega	
11	23	C	Post Pop	
12	24	E	Random	
NA			Steady	18Sec

Pattern Shortcuts: Hold Green wire to ground for indicated time.

Split Mode Phases: One side flashes in Phase 1, the other side flashes in Phase 2

Steady Burn: Not in pattern cycle. Only accessible through shortcut. Hold Green wire to ground for 18 seconds (light will flash 6 times).

The heads in these kits use state-of-the-art Light Emitting Diode (LED) technology. These warning lights are comprised of ultra-high intensity LEDs that are controlled by a solid state flasher unit to efficiently produce light output with lifetimes up to 100,000 hours. Under normal circumstances, you will not need to replace any LEDs in this light. If any of the LED's in your light do fail, please contact Star Headlight for arrangements to have them repaired. The flasher unit and heads CANNOT be serviced in the field and any attempt to do so will void the warranty.

LED FIVE YEAR LIMITED WARRANTY

The manufacturer warrants this LED light against factory defects in material and workmanship for five years after the date of purchase. The owner will be responsible for returning to the Service Center any defective item(s) with the transportation costs prepaid. The manufacturer will, without charge, repair or replace *at its option*, products, or part(s), which its inspection determines to be defective. Repaired or replacement item(s) will be returned to the purchaser with transportation costs prepaid from the service point. A copy of the purchaser's receipt must be returned with the defective item(s) in order to qualify for the warranty coverage. Exclusions from this warranty include, but are not limited to, domes, and/or the finish. This warranty shall not apply to any light, which has been altered, such that in the manufacturer's judgment, the performance or reliability has been affected, or if any damage has resulted from abnormal use or service.

There are no warranties expressed or implied (including any warranty of merchantability or fitness), which extend this warranty period. **The loss of use of the product, loss of time, inconvenience, commercial loss or consequential damages, including costs of any labor, are not covered.** The manufacturer reserves the right to change the design of the product without assuming any obligation to modify any product previously manufactured.

This warranty gives you specific legal rights. You might also have additional rights that may vary from state to state. Some states do not allow limitations on how long an implied warranty lasts. Some states do not allow the exclusion or limitation of incidental or consequential damages. Therefore, the above limitation(s) or exclusion(s) may not apply to you.

If you have any questions concerning this or any other Star product, please contact our **Customer Service Department** at (585) 226-9787.

If a product must be returned for any reason, please contact our Customer Service Department to obtain a Returned Materials Authorization number (RMA #) before you ship the product to Star. Please write the RMA # clearly on the package near the mailing label.

NOTICE

Due to continuous product improvements, we must reserve the right to change any specifications and information, contained in this manual at any time without notice. Star Headlight & Lantern Co., Inc. makes no warranty of any kind with regard to this manual, including, but not limited to, the implied warranties of merchantability and fitness for a particular purpose. Star Headlight & Lantern Co., Inc. shall not be liable for errors contained herein or for incidental or consequential damages in connection with the furnishing, performance, or use of this manual.



PROUDLY MADE IN THE USA
An ISO 9001:2008 Certified Company



Star Headlight & Lantern Co., Inc.

455 Rochester Street Avon, NY 14414 Phone: 585-226-9787 FAX: 888-478-2797

STAR
WARNING
SYSTEMS

STARSIGNAL
VEHICLE PRODUCTS

BRADFORD
Vehicle Solutions

www.starheadlight.com