
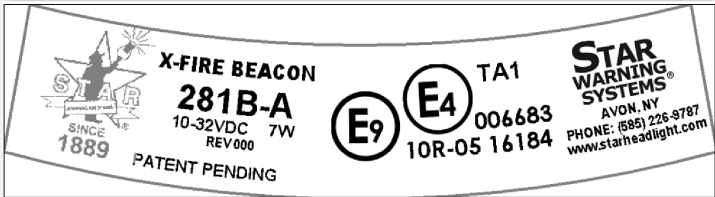


SPECIFICATIONS:

Typical Input Voltage Range: 10-32VDC 
 Typical Current Draw: 13.5VDC=0.48A, 28.0VDC=0.24A
 Default Flash Pattern: 128 Quad flash per minute. (2.1 CPS)
 Lumen maintenance: 70% lumen after 50,000 hours of operation
 Operating Temperature Range: -40C to 65C
 Connections: 18" Long; 18 gage; Red Wire +Power
 18" Long; 18 gage; Black Wire - Ground
 18" Long; 18 gage; Green Wire - Pattern Select
 18" Long; 20 gage; White Wire Synchronization
 18" Long; 20 gage; Purple Wire - Not Used

1 Bolt Mount: M12 X 1.75
 Dimensions: 5.6" [143] tall x 6.3" [160] dia.
 Materials:

Outer Dome (NOT REMOVABLE): Polycarbonate
 Base: Polycarbonate



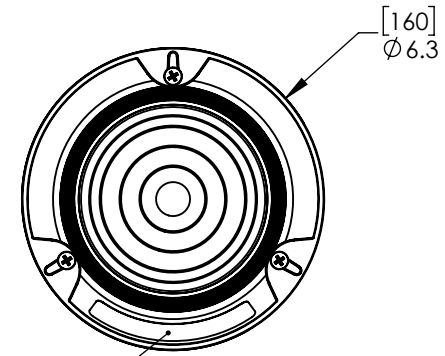
Model Numbers / Descriptions

Classifications for Visual Warning Devices:

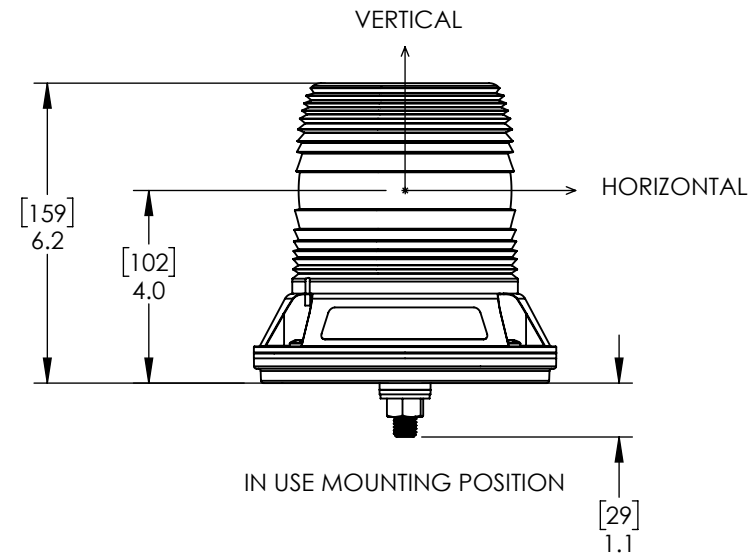


MODEL	REG 10	REG 65	LEDS (8)	DOME COLOR	MOUNT
281B-A	10R-05 16184 E9	TA1 006683 E4	WARM WHITE	AMBER	SINGLE BOLT
281B-AC	10R-05 16184 E9	NOT TESTED	PC AMBER	CLEAR	SINGLE BOLT
281B-B	10R-05 16184 E9	NOT TESTED	COOL WHITE	BLUE	SINGLE BOLT
281B-C	10R-05 16184 E9	N/A	COOL WHITE	CLEAR	SINGLE BOLT
281B-G	10R-05 16184 E9	N/A	COOL WHITE	GREEN	SINGLE BOLT
281B-R	10R-05 16184 E9	NOT TESTED	WARM WHITE	RED	SINGLE BOLT

REV.	ECR	DESCRIPTION	DATE
-	14657	INITIAL DRAWING REQUEST	09/07/17
A	15133	10-32 WAS 9-32. ADDED ECE CERT.	05/22/18



APPROVAL / MODEL LOCATION



UNLESS OTHERWISE SPECIFIED DIMENSIONS ARE IN INCHES TOLERANCES: ANGULAR: ± 2 DEG. .X ± .100 .XX ± .020 .XXX ± .005 .XXXX ± .001	DRAWN BY: MD	STAR HEADLIGHT & LANTERN CO., INC. 455 Rochester St. Avon NY 14414 Ph:(585) 226-9500 Fax: (585) 226-2029
	DRAWING APPROVED BY ECR	
RoHS COMPLIANT: Yes	THE INFORMATION CONTAINED IN THIS DRAWING IS THE SOLE PROPERTY OF STAR HEADLIGHT & LANTERN CO., INC.. ANY REPRODUCTION IN PART OR AS A WHOLE WITHOUT THE WRITTEN PERMISSION OF STAR HEADLIGHT & LANTERN CO., INC. IS STRICTLY PROHIBITED.	MODEL: 281B-*
MATERIAL: N/A		TITLE: 281B ASSEMBLY
FINISH: N/A		DWG. NO. 281B REV A
		SCALE: 1:4 DO NOT SCALE FROM DRAWING SHEET 1 OF 1