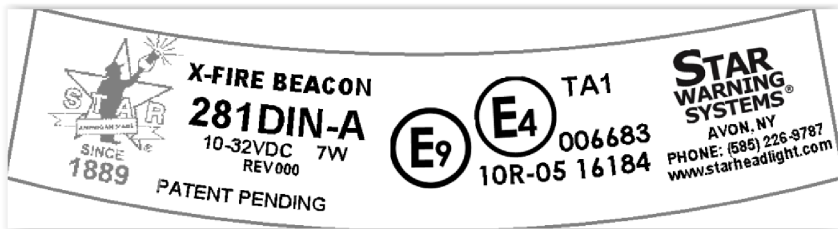


**SPECIFICATIONS:**

Typical Input Voltage Range: 10-32VDC  $\triangle$   
 Typical Current Draw: 13.5VDC=0.48A, 28.0VDC=0.24A  
 Default Flash Pattern: Default Flash Pattern: 128 Quad flash per minute. (2.1 CPS)  
 Lumen maintenance: 70% lumen after 50,000 hours of operation  
 Operating Temperature Range: -40C to 65C  
 Connections: Standard DIN connector with clamp  
 Dimensions: 8.1" [206] tall x 6.3" [160] dia.  
 Materials:  
 Outer Dome: Polycarbonate  
 Base: Polycarbonate

REV.	ECR	DESCRIPTION	DATE
-	14812	INITIAL DRAWING REQUEST	12/15/17
A	15133	10-32 WAS 9-32. ADDED ECE CERT.	05/22/18

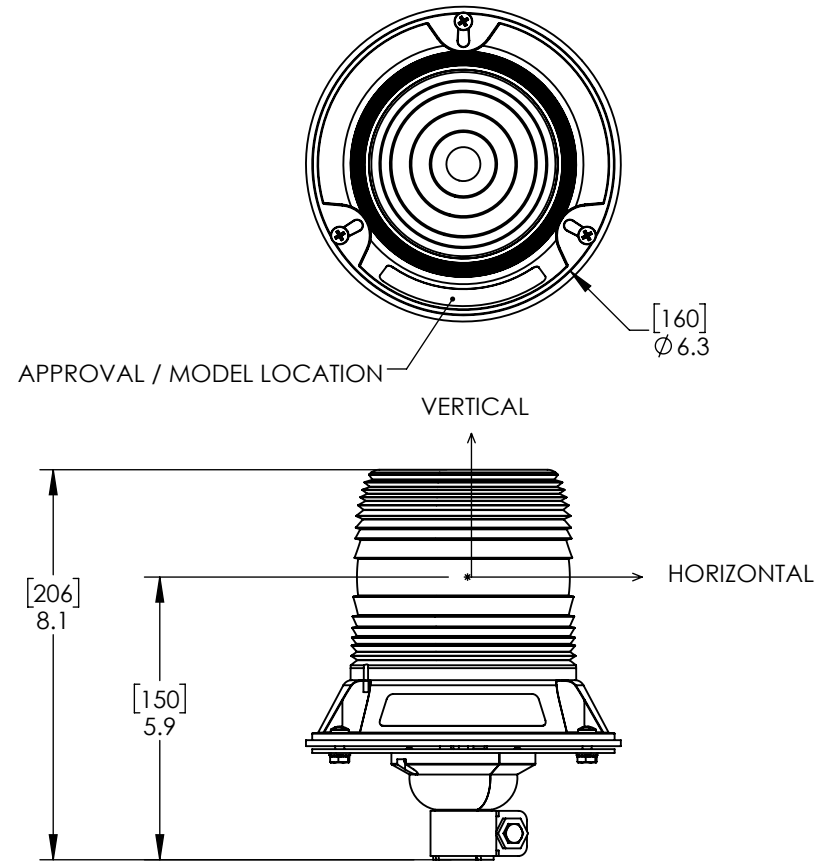


Model Numbers / Descriptions

Classifications for Visual Warning Devices:



MODEL	REG 10	REG 65	LEDS (8)	DOMES COLOR	MOUNT
281DIN-A	10R-05 16184 E9	TA1 006683 E4	WARM WHITE	AMBER	DIN
281DIN-AC	10R-05 16184 E9	NOT TESTED	PC AMBER	CLEAR	DIN
281DIN-B	10R-05 16184 E9	NOT TESTED	COOL WHITE	BLUE	DIN
281DIN-C	10R-05 16184 E9	N/A	COOL WHITE	CLEAR	DIN
281DIN-G	10R-05 16184 E9	N/A	COOL WHITE	GREEN	DIN
281DIN-R	10R-05 16184 E9	NOT TESTED	WARM WHITE	RED	DIN



IN USE MOUNTING POSITION

UNLESS OTHERWISE SPECIFIED DIMENSIONS ARE IN INCHES TOLERANCES: ANGULAR: ± 2 DEG. .X ± .100 .XX ± .020 .XXX ± .005 .XXXX ± .001	DRAWN BY: MD	<b>STAR HEADLIGHT &amp; LANTERN CO., INC.</b> 455 Rochester St. Avon NY 14414 Ph:(585) 226-9500 Fax: (585) 226-2029
	DRAWING APPROVED BY ECR	
RoHS COMPLIANT: Yes	THE INFORMATION CONTAINED IN THIS DRAWING IS THE SOLE PROPERTY OF STAR HEADLIGHT & LANTERN CO., INC.. ANY REPRODUCTION IN PART OR AS A WHOLE WITHOUT THE WRITTEN PERMISSION OF STAR HEADLIGHT & LANTERN CO., INC. IS STRICTLY PROHIBITED.	MODEL: 281DIN-*
MATERIAL: N/A		TITLE: 281DIN ASSEMBLY
FINISH: N/A		DWG. NO. 281DIN REV A
		SCALE: 1:4 DO NOT SCALE FROM DRAWING SHEET 1 OF 1