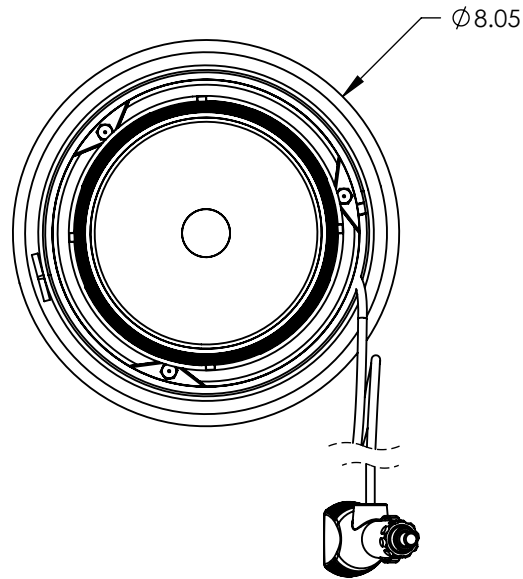
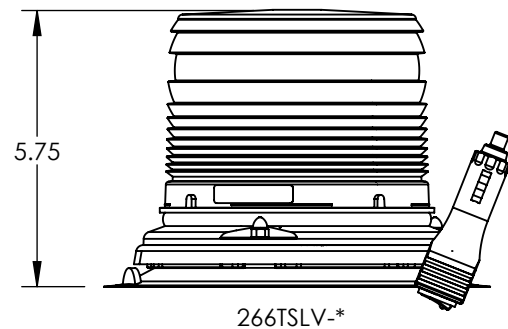
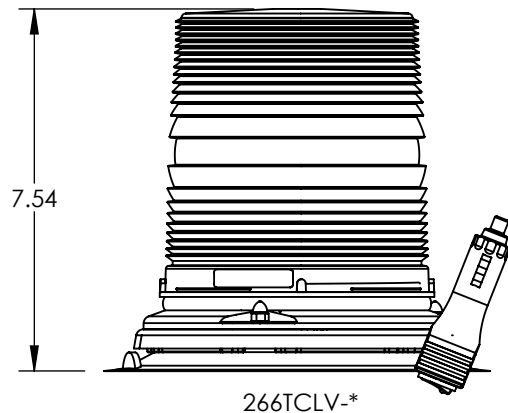


REV.	ECR	DESCRIPTION	DATE
-	13907	INITIAL DRAWING REQUEST	08/16/17



SPECIFICATIONS:

TYPICAL INPUT VOLTAGE RANGE: 9-16VDC
 TYPICAL CURRENT DRAW: 12.8VDC=0.45A
 TYPICAL LIGHT OUTPUT (8 WARM WHITE LED'S): 1144 lm PEAK
 TYPICAL LIGHT OUTPUT (8 COOL WHITE LED'S): 1223 lm PEAK
 TYPICAL LIGHT OUTPUT (8 PC AMBER LED'S): 880 lm PEAK
 LUMEN MAINTENANCE: 85% LUMEN AFTER 100,000 HOURS OPERATION
 OPERATING TEMPERATURE RANGE: -40C TO 55C
 CONNECTIONS: CIG PLUG W/ PATTERN SELECT & CABLE 11ft LONG MINIMUM
 VACUUM MAGNET MOUNTING
 MATERIALS: OUTER DOME: VIRGIN POLYCARBONATE
 BASE: POLYCARBONATE
 VACUUM MAGNET: EPDM



MODELS	DESCRIPTIONS	CLASSIFICATIONS
266TCLV-A	LED BEACON; AMBER; 9-16VDC; VACUUM MAG; 8 WARM WHITE LED'S; CIG PLUG W/ PATTERN SELECT; AMBER 6 INCH DOME	SAE: W3-1 17
266TCLV-AC	LED BEACON; AMBER; 9-16VDC; VACUUM MAG; 8 PC AMBER LED'S; CIG PLUG W/ PATTERN SELECT; CLEAR 6 INCH DOME	TBD
266TCLV-B	LED BEACON; BLUE; 9-16VDC; VACUUM MAG; 8 COOL WHITE LED'S; W/ PATTERN SELECT; BLUE 6 INCH DOME	TBD
266TCLV-C	LED BEACON; COOL WHITE; 9-16VDC; VACUUM MAG; 8 COOL WHITE LED'S; W/ PATTERN SELECT; CLEAR 6 INCH DOME	TBD
266TCLV-G	LED BEACON; GREEN; 9-16VDC; VACUUM MAG; 8 COOL WHITE LED'S; W/ PATTERN SELECT; GREEN 6 INCH DOME	N/A
266TCLV-R	LED BEACON; RED; 9-16VDC; VACUUM MAG; 8 WARM WHITE LED'S; W/ PATTERN SELECT; RED 6 INCH DOME	TBD
266TSLV-A	LED BEACON; AMBER; 9-16VDC; VACUUM MAG; 8 WARM WHITE LED'S; W/ PATTERN SELECT; AMBER 4 INCH DOME	SAE: W3-1 17
266TSLV-AC	LED BEACON; AMBER; 9-16VDC; VACUUM MAG; 8 PC AMBER LED'S; W/ PATTERN SELECT; CLEAR 4 INCH DOME	TBD
266TSLV-B	LED BEACON; BLUE; 9-16VDC; VACUUM MAG; 8 COOL WHITE LED'S; W/ PATTERN SELECT; BLUE 4 INCH DOME	TBD
266TSLV-C	LED BEACON; COOL WHITE; 9-16VDC; VACUUM MAG; 8 COOL WHITE LED'S; W/ PATTERN SELECT; CLEAR 4 INCH DOME	TBD
266TSLV-G	LED BEACON; GREEN; 9-16VDC; VACUUM MAG; 8 COOL WHITE LED'S; W/ PATTERN SELECT; GREEN 4 INCH DOME	N/A
266TSLV-R	LED BEACON; RED; 9-16VDC; VACUUM MAG; 8 WARM WHITE LED'S; W/ PATTERN SELECT; RED 4 INCH DOME	TBD

UNLESS OTHERWISE SPECIFIED

DIMENSIONS ARE IN INCHES

TOLERANCES:

ANGULAR: ± 2 DEG.

.X ± .100
 .XX ± .020
 .XXX ± .005
 .XXXX ± .001

RoHS COMPLIANT: Yes

MATERIAL:

N/A

FINISH:

N/A

DRAWN BY: MD

DRAWING APPROVED BY ECR

THE INFORMATION CONTAINED IN THIS DRAWING IS THE SOLE PROPERTY OF STAR HEADLIGHT & LANTERN CO., INC.. ANY REPRODUCTION IN PART OR AS A WHOLE WITHOUT THE WRITTEN PERMISSION OF STAR HEADLIGHT & LANTERN CO., INC. IS STRICTLY PROHIBITED.

STAR HEADLIGHT & LANTERN CO., INC.

455 Rochester St. Avon NY 14414
 Ph:(585) 226-9500 Fax: (585) 226-2029

MODEL: 266TCLV-*, 266TSLV-*

TITLE: MODEL DRAWING

DWG. NO. 266TLV REV -

SCALE: 1:4 DO NOT SCALE FROM DRAWING SHEET 1 OF 1