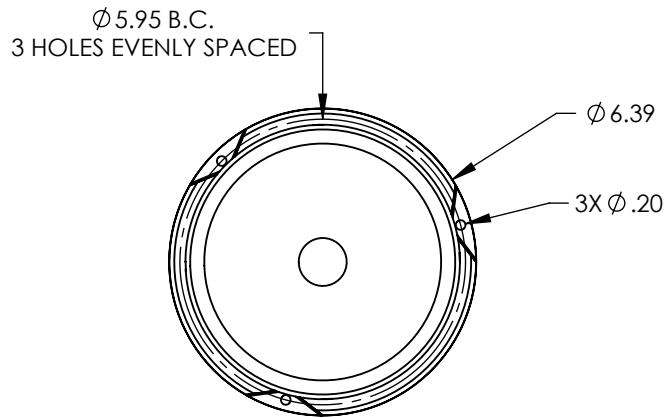


REV.	ECR	DESCRIPTION	DATE
-	15300	INITIAL DRAWING REQUEST	06/25/18

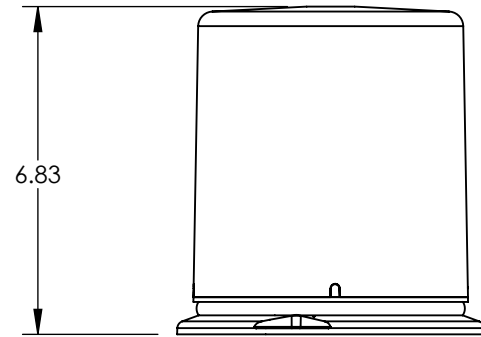


**SPECIFICATIONS:**

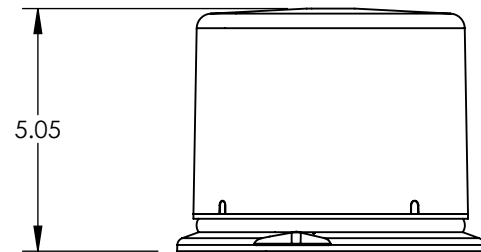
TYPICAL INPUT VOLTAGE RANGE: 9-32VDC  
 TYPICAL CURRENT DRAW: 12.8VDC=0.5A  
 TYPICAL CURRENT DRAW: 25.6VDC=0.3A  
 TYPICAL LIGHT OUTPUT (8 WARM WHITE LED'S): 1144 lm PEAK  
 LUMEN MAINTENANCE: 85% LUMEN AFTER 100,000 HOURS OPERATION  
 OPERATING TEMPERATURE RANGE: -40C TO 55C  
 CONNECTIONS: 20 GAGE RED WIRE MIN. 18" LONG + POWER  
                   20 GAGE BLACK WIRE MIN. 18" LONG - GROUND  
                   20 GAGE GREEN WIRE MIN. 18" LONG - PATTERN SELECT  
                   20 GAGE WHITE WIRE MIN. 18" LONG SYNCHRONIZATION  
                   20 GAGE PURPLE WIRE MIN. 18" LONG (NOT USED)

3 HOLE FLANGE MOUNTING

MATERIALS: INNER & OUTER DOME: VIRGIN POLYCARBONATE  
 BASE: POLYCARBONATE



266TAL-A



266TASL-A

MODELS	DESCRIPTIONS	SAE J845 CLASSIFICATIONS
266TAL-A	LED BEACON; AMBER; 9-32VDC; 3 HOLE FLANGE MOUNT; 8 WARM WHITE LED'S; 5 WIRES; AMBER 6 INCH DOME; DUST COVER	CLASS I
266TASL-A	LED BEACON; AMBER; 9-32VDC; 3 HOLE FLANGE MOUNT; 8 WARM WHITE LED'S; 5 WIRES; AMBER 4 INCH DOME; DUST COVER	CLASS I

\* MEETS TITLE 13 LIGHT OUTPUT REQUIREMENTS IN DESIGNATED FLASH PATTERN. (SAE QUAD)

UNLESS OTHERWISE SPECIFIED DIMENSIONS ARE IN INCHES TOLERANCES: ANGULAR: ± 2 DEG. .X ± .100 .XX ± .020 .XXX ± .005 .XXXX ± .001	DRAWN BY: MD	<b>STAR HEADLIGHT &amp; LANTERN CO., INC.</b> 455 Rochester St. Avon NY 14414 Ph:(585) 226-9500 Fax: (585) 226-2029
	DRAWING APPROVED BY ECR	
RoHS COMPLIANT: Yes	THE INFORMATION CONTAINED IN THIS DRAWING IS THE SOLE PROPERTY OF STAR HEADLIGHT & LANTERN CO., INC.. ANY REPRODUCTION IN PART OR AS A WHOLE WITHOUT THE WRITTEN PERMISSION OF STAR HEADLIGHT & LANTERN CO., INC. IS STRICTLY PROHIBITED.	MODEL: 266TAL-A, 266TASL-A
MATERIAL: N/A		TITLE: MODEL DRAWING
FINISH: N/A		DWG. NO. 266TAL REV -
		SCALE: 1:4 DO NOT SCALE FROM DRAWING SHEET 1 OF 1