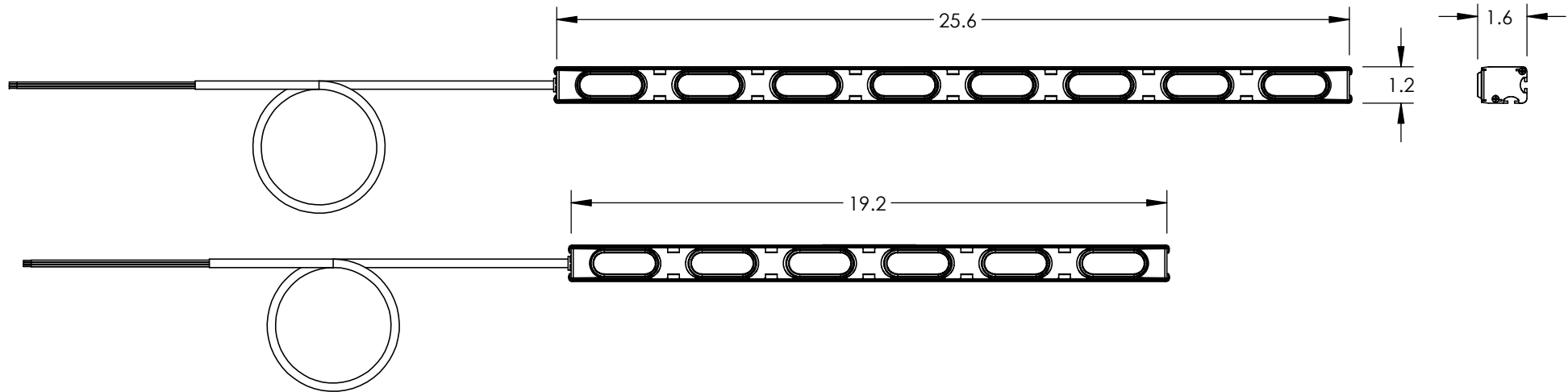


REV.	ECR	DESCRIPTION	DATE
-	16898	INITIAL DRAWING REQUEST	2/11/2020



SPECIFICATIONS:

OPERATING VOLTAGE RANGE: 10-16VDC
 NOMINAL VOLTAGE: 12V
 TYPICAL CURRENT DRAW: MAX. 4A AVG. 2A @ 12.8VDC
 OPERATING TEMPERATURE RANGE: -22F (-30C) TO 122F (50C)

CONNECTIONS:

6-WIRE CABLE. LENGTH OPTION FOR 6 AND 8-HEAD IS 3FT OR 25FT (DLQS3-6-**-3, DLQS3-8-**-3 3FT CABLE MODELS)
 18 GAGE RED WIRE (IGNITION SWITCH +12VDC)
 18 GAGE BLACK WIRE (- GROUND)
 22 GAGE ORANGE/RED (WARNING)
 22 GAGE WHITE W/BROWN (TD LEFT)
 22 GAGE GREEN W/YELLOW (TD RIGHT)
 22 GAGE GREEN W/RED (PATTERN SELECT)
 22 GAGE BARE (DRAIN/SHIELD)

INSTALLATION:

BACK AND BOTTOM SLOTS (DESIGNED FOR #10 CARRIAGE BOLT)
 MOUNTING BRACKET: 14GA COLD ROLLED STEEL, POWDER COATED
 CARRIAGE BOLT #10-32, STAINLESS STEEL
 FLAT WASHER #10, ZINC PLATED
 HEX SERRATED FLANGE NUT #10-32, STAINLESS STEEL

MATERIALS:

HOUSING: EXTRUDED BLACK ANODIZED ALUMINUM
 LENS: POLYCARBONATE

CERTIFICATIONS:

SAEJ595 MARCH2014 CLASS 1 (SPOT OPTICS ONLY, ALL COLORS BUT GREEN)

PRODUCT LABEL:

WHITE POLYESTER STOCK 2" X 1"

INSTRUCTION SHEET:

1 PROVIDED (ENGLISH)

UNLESS OTHERWISE SPECIFIED DIMENSIONS ARE IN INCHES TOLERANCES: ANGULAR: ± 2 DEG. .X ± .100 .XX ± .020 .XXX ± .005 .XXXX ± .001	DRAWN BY: EP	STAR HEADLIGHT & LANTERN CO., INC. 455 Rochester St. Avon NY 14414 Ph:(585) 226-9500 Fax: (585) 226-2029
	DRAWING APPROVED BY ECR	
RoHS COMPLIANT: Yes	THE INFORMATION CONTAINED IN THIS DRAWING IS THE SOLE PROPERTY OF STAR HEADLIGHT & LANTERN CO., INC.. ANY REPRODUCTION IN PART OR AS A WHOLE WITHOUT THE WRITTEN PERMISSION OF STAR HEADLIGHT & LANTERN CO., INC. IS STRICTLY PROHIBITED.	
MATERIAL: N/A	MODEL: DLQS3	
FINISH: N/A	TITLE: MODEL DRAWING	
	DWG. NO. DLQS3	REV -
	SCALE: 1:12	DO NOT SCALE FROM DRAWING SHEET 1 OF 1