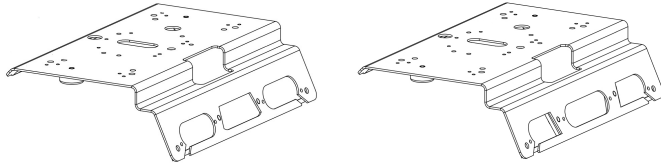
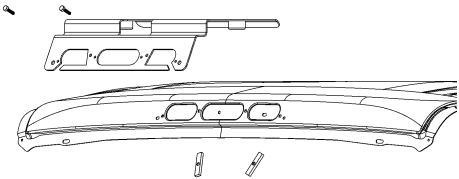


## THIRD BRAKE LIGHT MOUNT KIT

BBK274-FH (Halogen Lights) and BBK274-FL (LED Lights)

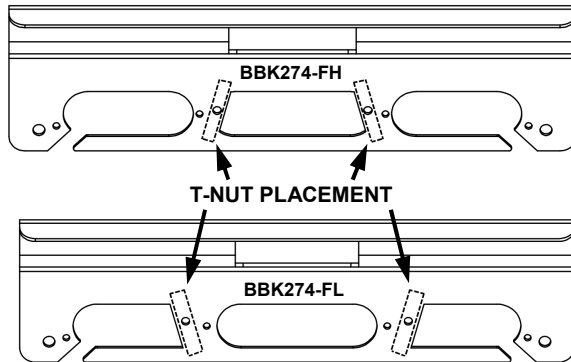


1. Determine if you need to mount your light to the bracket prior to installing the bracket on the vehicle and proceed accordingly.
2. Ensure that you are using the correct mounting bracket for your application.
  - Use the BBK274-FH with vehicles utilizing **halogen** third brake light assemblies.
  - Use the BBK274-FL with vehicles utilizing **LED** third brake light assemblies.

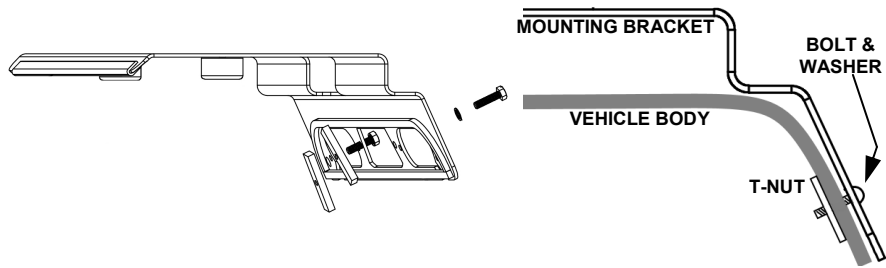


3. Carefully remove the 3rd brake light assembly.
4. Place the bracket over the exposed holes.

5. Referring to the corresponding picture to the right, place the T-Nuts inside the vehicle in the position shown.



6. Secure the T-Nuts with one of the enclosed bolts and washers as pictured below.



7. Reinstall the 3rd brake light assembly to the outside of the new bracket and test it to ensure it is working properly.

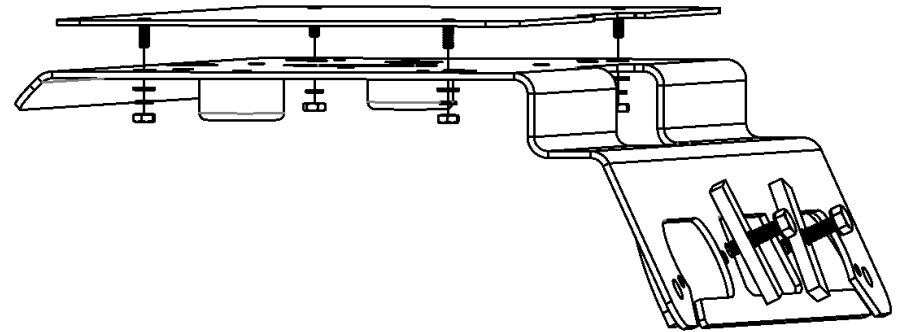


**WHEN INSTALLING, YOU MUST ENSURE THAT YOU DO NOT OBSTRUCT THE THIRD BRAKE LIGHT !!**

### OPTIONAL BBK274-PLATE MAGNET MOUNTING PLATE (sold separately)

The BBK274-PLATE is an optional steel plate that attaches to your aluminum bracket and allows the use of magnet mounted lights with the BB274-FH or BB274-FL assembly.

Refer to the drawing below when attaching the optional plate.



If you have any questions concerning this or any other product, please contact our **Customer Service Department** at (585) 226-9787.

If a product must be returned for any reason, please contact our Customer Service Department to obtain a Returned Materials Authorization number (RMA #) before you ship the product back.

Please write the RMA # clearly on the package near the mailing label.

**Please Note:** These instructions are provided as a general guideline only. Specific mounting, wiring, and/or weather-sealing may be necessary and are the sole responsibility of the installer. Star Headlight & Lantern Co., Inc. assumes no responsibility for the integrity of the installation for this or any of its products.

#### NOTICE

Due to continuous product improvements, we must reserve the right to change any specifications and information, contained in this manual at any time without notice. Star Headlight & Lantern Co., Inc. makes no warranty of any kind with regard to this manual, including, but not limited to, the implied warranties of merchantability and fitness for a particular purpose. Star Headlight & Lantern Co., Inc. shall not be liable for errors contained herein or for incidental or consequential damages in connection with the furnishing, performance, or use of this manual.



**Star Headlight & Lantern Co., Inc.**

455 Rochester Street

Avon, NY 14414

Phone: 585-226-9787

FAX: 888-478-2797

STAR  
WARNING  
SYSTEMS

STAR SIGNAL  
VEHICLE PRODUCTS

BRADFORD  
Vehicle Solutions

www.starheadlight.com